



Coleman®-Mach®
DATA INQUIRY SHEET
480X9*9XX
MACH 15 PS HEAT PUMP

Capacity (Nominal BTUH)	Cooling/Heating Heating (1)	15,000 5,600
Electrical Rating	115 VAC, 60 HZ, 1 Phase	
Cooling Full Load AMP's at A.R.I. Standard Condition	Compressor Fan Motor Total	8.9 Low – 2.1 High – 2.4 11.0 11.3
Feature Equipment Amps	Heating (1)	15.6
Running Watts (cooling) A.R.I. Standard Condition (80° F. DB 67° F. WB Indoor, 95° F. DB Outdoor)	1293	
Running Watts (cooling) Desert Condition (100° F. DB 72° F. WB Indoor, 120° F. DB Outdoor)	1645	
Running Watts (heating) (1)	1750	
Compressor Locked Rotor Amps	50.5	
Metering Device	Bi-Flow Restrictor	
Refrigerant Charge – R-410A	20.00 oz.	
Evaporator Air Delivery (CFM)	320 – High Speed	
Generator Size	See "Generators" Below	
Unit Weight (pounds)	89 lbs. (2)	
Use time delay fuse or circuit breaker (U.L. H.A.C.R. Type C.S.A.) Rated at: Minimum 15 Amps; (1)Minimum 20 Amps; Maximum 25 Amps See Product Installation, Operating Manual for proper wire sizes.		

- (1) When equipped with Elect-A-Heat feature.
- (2) Ceiling assemblies may add an additional 3.5 to 12.5 lbs. depending on the model number.

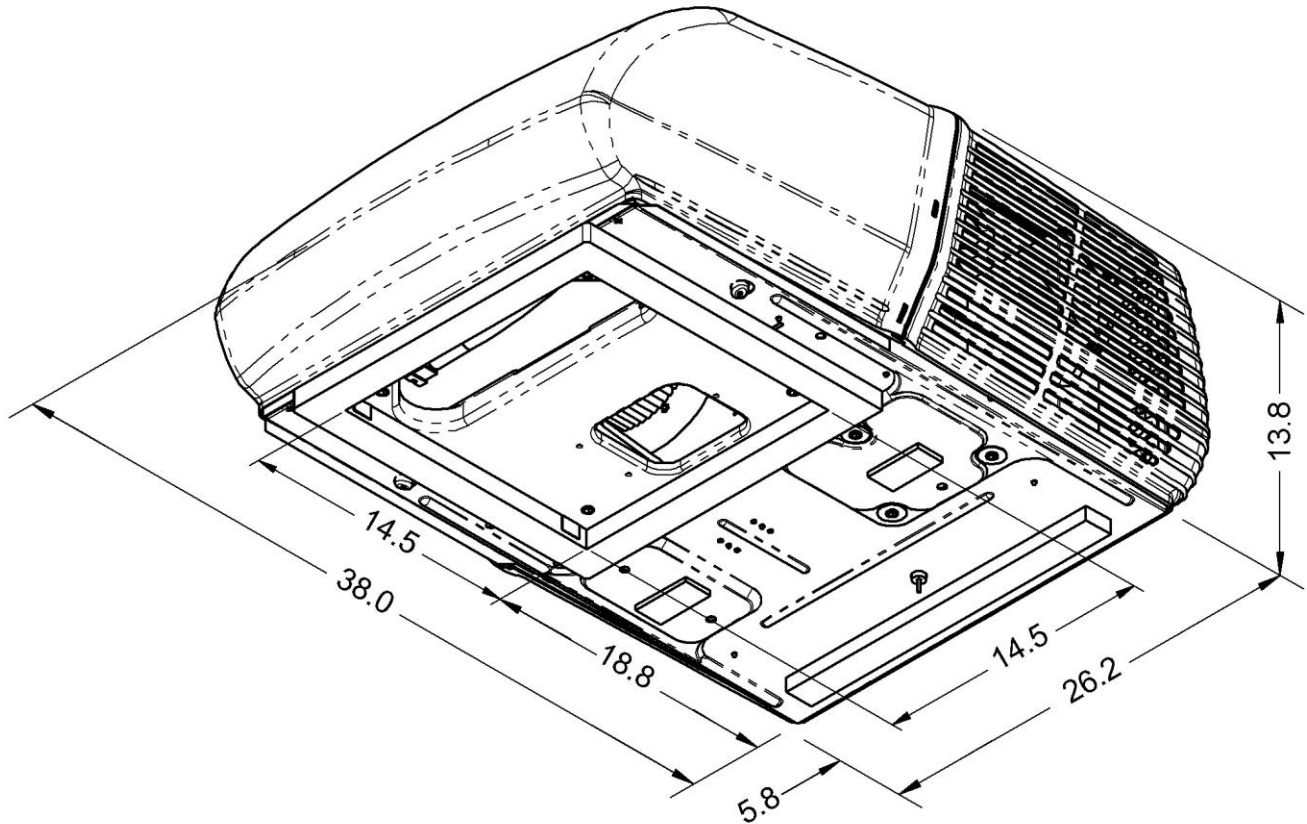
CEILING ASSEMBLY: Any 8530, 8630, 9530, 9630 C/A

GENERATORS:

It is not the policy of Airxcel, Inc. to size generators for application in Recreation Vehicles or related structures. However, when sizing generators, the total electrical power consumption in Watts must be determined and taken into consideration, such as:

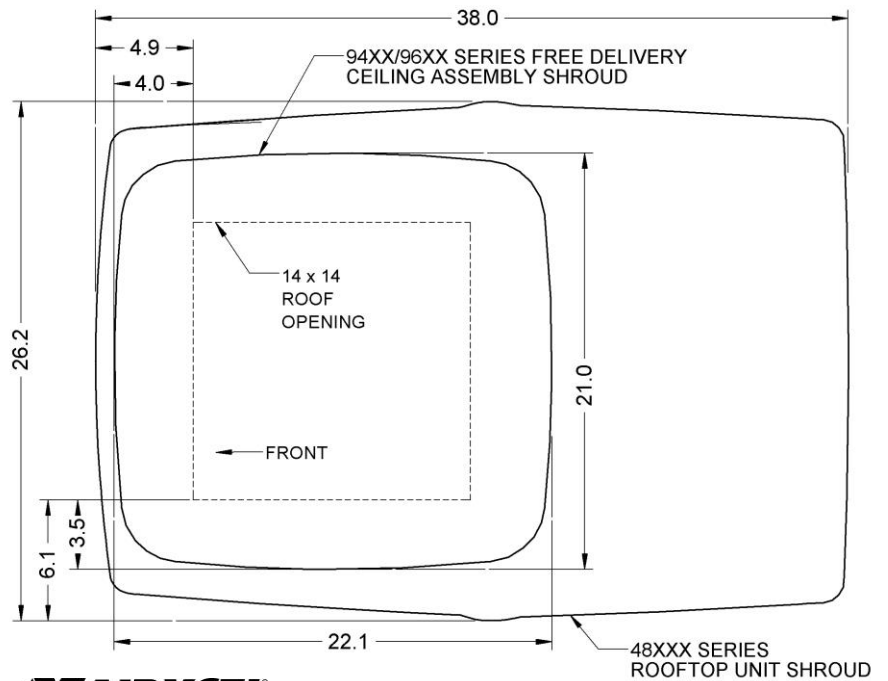
- A. Maximum running watts of the air conditioner at Airxcel, Inc. Desert Test (See Specifications).
- B. Power consumption of electronic ovens, toasters, coffeemakers, television sets, refrigerators, lights, etc.
- C. Generators do lose capacity under the following conditions:
 - (1) Altitude increases above sea level,
 - (2) Temperature increases above certain outdoor design temperatures
 - (3) Lack of maintenance.

ROOF TOP UNIT DIMENSIONS



CEILING SHROUD DIMENSIONS

QUICK REFERENCE CHART	
DIMENSIONS	
Exterior Shroud	Height 13.8
	Width 26.2
	Length 38.0
Interior Shroud	Depth 2.2
	Width 21.0
	Length 22.1



RV Products Division

AIRXCEL, INC. - RV Products Division

P.O. BOX 4020 • Wichita, KS 67204 • 316.832.3400 • www.AIRXCEL.com
 E-mail Support: RVPSupport@airxcel.com • E-mail Sales: RVPSales@airxcel.com