



**COLEMAN-MACH  
DATA INQUIRY SHEET  
48203-8666  
MARINE MACH**

Capacity (Nominal BTUH)	Cooling/Heating Heating (1)	13,500 5,600
Electrical Rating	115 VAC, 60 HZ, 1 Phase	
Cooling Full Load AMP's at A.R.I. Standard Condition	Compressor Fan Motor Low – 2.7 High – 3.4 Total	11.1 13.8 14.5
Feature Equipment Amps	Heating (1)	16
Running Watts (cooling) A.R.I. Standard Condition (80° F. DB 67° F. WB Indoor, 95° F. DB Outdoor)	1536	
Running Watts (cooling) Desert Condition (100° F. DB 72° F. WB Indoor, 120° F. DB Outdoor)	1905	
Running Watts (heating) (1)	1800	
Compressor Locked Rotor Amps	59.3	
Metering Device	Capillary Tube	
Refrigerant Charge – R-410A	15.00 oz.	
Evaporator Air Delivery (CFM)	320 – High Speed	
Generator Size	See “Generators” Below	
Unit Weight (pounds)		
<p align="center">Use time delay fuse or circuit breaker (U.L. H.A.C.R. Type C.S.A.) Rated at: Min (1) 20 Amps; Max. (1) 30 Amps. See Product Installation Instructions for proper wire sizes.</p>		

- (1) When equipped with Elect-A-Heat feature.
- (2) Ceiling assemblies may add an additional 3.5 to 12.5 lbs. depending on the model number.

**CEILING ASSEMBLY:** Any 9430 Series

**GENERATORS:**

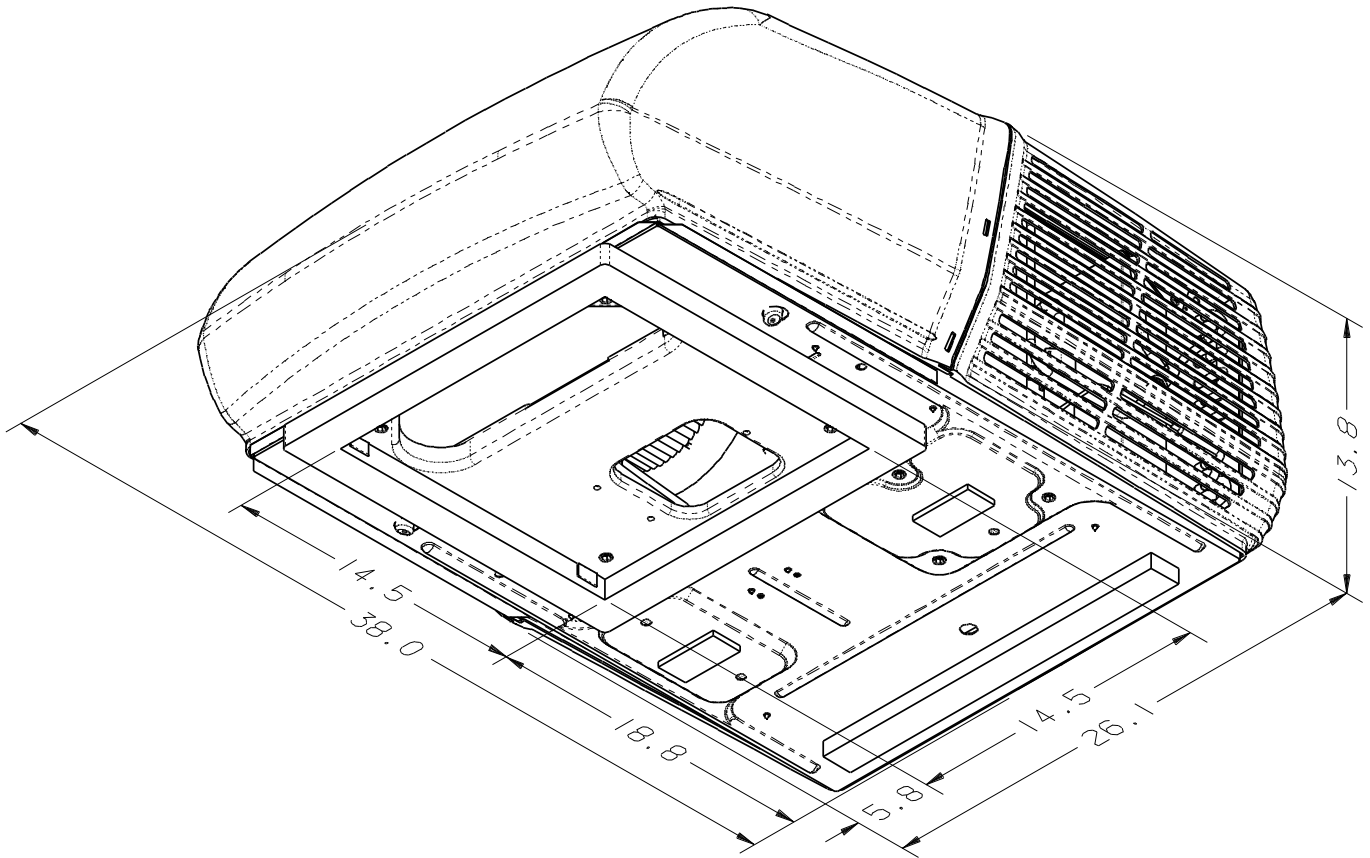
It is not the policy of Airxcel, Inc. to size generators for application in Recreation Vehicles or related structures. However, when sizing generators, the total electrical power consumption in Watts must be determined and taken into consideration, such as:

- A. Maximum running watts of the air conditioner at Airxcel, Inc. Desert Test (See Specifications).
- B. Power consumption of electronic ovens, toasters, coffeemakers, television sets, refrigerators, lights, etc.
- C. Generators do lose capacity under the following conditions: (1) Altitude increases above sea level, (2) Temperature increases above certain outdoor design temperatures, and (3) Lack of maintenance.

**Airxcel Inc.  
RV Products Division  
P.O. Box 4020  
Wichita, KS 67204**

Coleman is a registered trademark of The Coleman Company, Inc. used under license. Mach is a registered trademark.

### ROOF TOP UNIT DIMENSIONS



### QUICK REFERENCE CHART

DIMENSIONS	
Exterior Shroud	Height 13.8
	Width 26.1
	Length 38.0
Interior Shroud	Depth 2.2
	Width 21.0
	Length 22.1

### CEILING SHROUD DIMENSIONS

