



**COLEMAN-MACH
DATA INQUIRY SHEET
482X3C86X5 Rev. A
MACH 3+**

Capacity (Nominal BTUH)	Cooling Heating (1)	13,500 5,600
Electrical Rating	115 VAC, 60 HZ, 1 Phase	
Cooling Full Load AMP's at A.R.I. Standard Condition	Compressor Fan Motor Low – 2.6 High – 2.8 Total	10.6 13.2 13.4
Feature Equipment Amps	Heating (1)	16
Running Watts (cooling) A.R.I. Standard Condition (80 F. DB 67 F. WB Indoor, 95 F. DB Outdoor)	1528	
Running Watts (cooling) Desert Condition (100 F. DB 72 F. WB Indoor, 120F. DB Outdoor)	1860	
Running Watts (heating) (1)	1800	
Compressor Locked Rotor Amps	54.2	
Metering Device	Capillary Tube	
Refrigerant Charge – R-410A	10.25 oz.	
Evaporator Air Delivery (CFM)	320 – High Speed	
Generator Size	See “Generators” Below	
Unit Weight (pounds)	79.5 lbs. (2)	
Use time delay fuse or circuit breaker Max. rated 30 Amps, Use min. 10 AWG copper supply wires. Use time delay fuse or circuit breaker Min. rated 20 Amps, Use min. 12 AWG copper supply wires.		

- (1) When equipped with Elect-A-Heat feature.
- (2) Ceiling assemblies may add an additional 3.5 to 12.5 lbs. depending on the model number.

CEILING ASSEMBLY: Any 8330, 8430, 9330, 9430, 8530-750

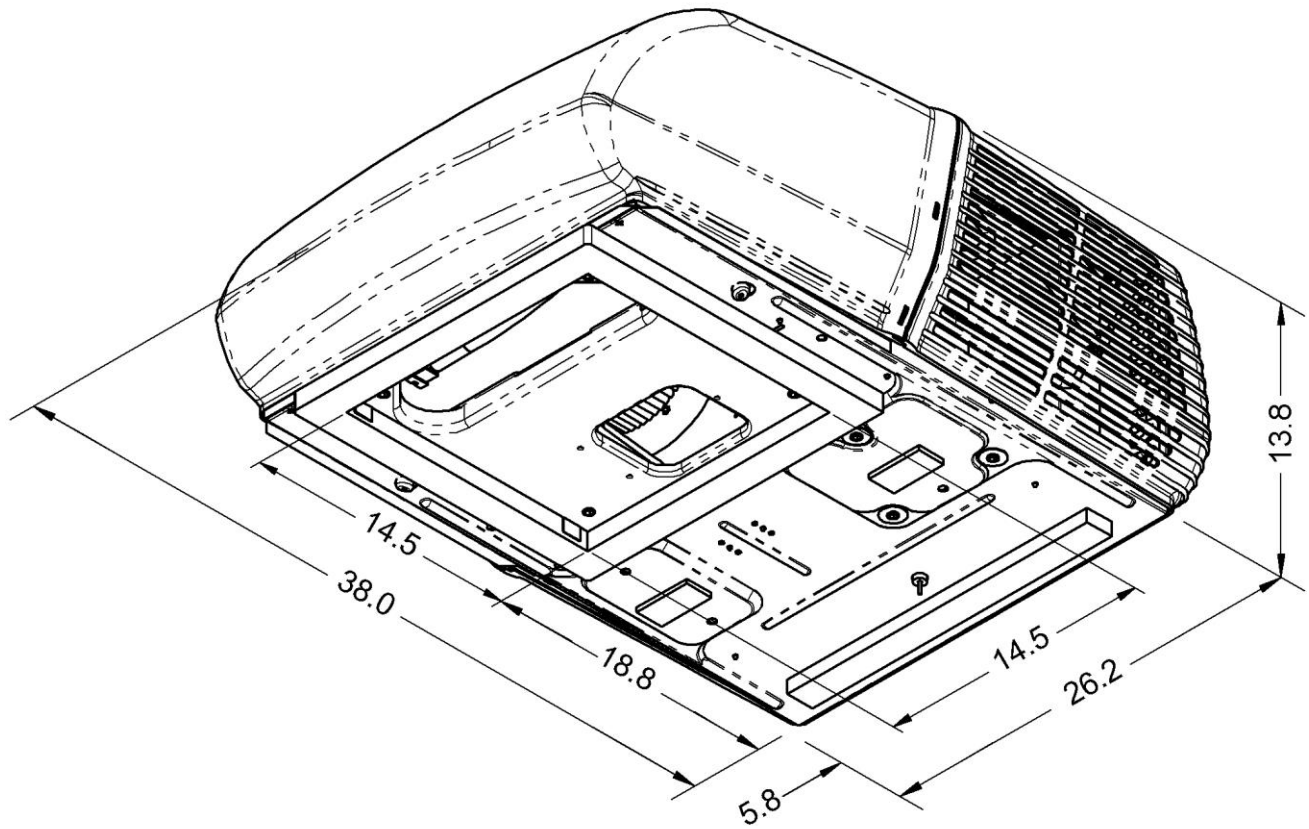
GENERATORS:

It is not the policy of Airxcel, Inc. to size generators for application in Recreation Vehicles or related structures. However, when sizing generators, the total electrical power consumption in Watts must be determined and taken into consideration, such as:

- A. Maximum running watts of the air conditioner at Airxcel, Inc. Desert Test (See Specifications).
- B. Power consumption of electronic ovens, toasters, coffeemakers, television sets, refrigerators, lights, etc.
- C. Generators do lose capacity under the following conditions: (1) Altitude increases above sea level, (2) Temperature increases above certain outdoor design temperatures, and (3) Lack of maintenance.

**Airxcel Inc.
RV Products Division
P.O. Box 4020
Wichita, KS 67204**

ROOF TOP UNIT DIMENSIONS



QUICK REFERENCE CHART

DIMENSIONS	
Exterior Shroud	Height 13.8
	Width 26.2
	Length 38.0
Interior Shroud	Depth 2.2
	Width 21.0
	Length 22.1

CEILING SHROUD DIMENSIONS

