



**REPAIR PARTS LIST  
FOR  
452X7\*66X  
MACH 10 POWER SAVER A/C  
(45207-666, 45207-669)**

---

**WARRANTY INFORMATION**

**PARTS RETURN**

“Air Conditioning” in-warranty parts subject to return to RV Products must be sent prepaid to the following address. Always include your company’s claim or workorder along with RVP’s invoice generated from the shipment of the replacement part.

RV Products  
A Division of Airxcel, Inc.  
Attn: Warranty Return  
3050 N. St. Francis  
Wichita, KS 67219

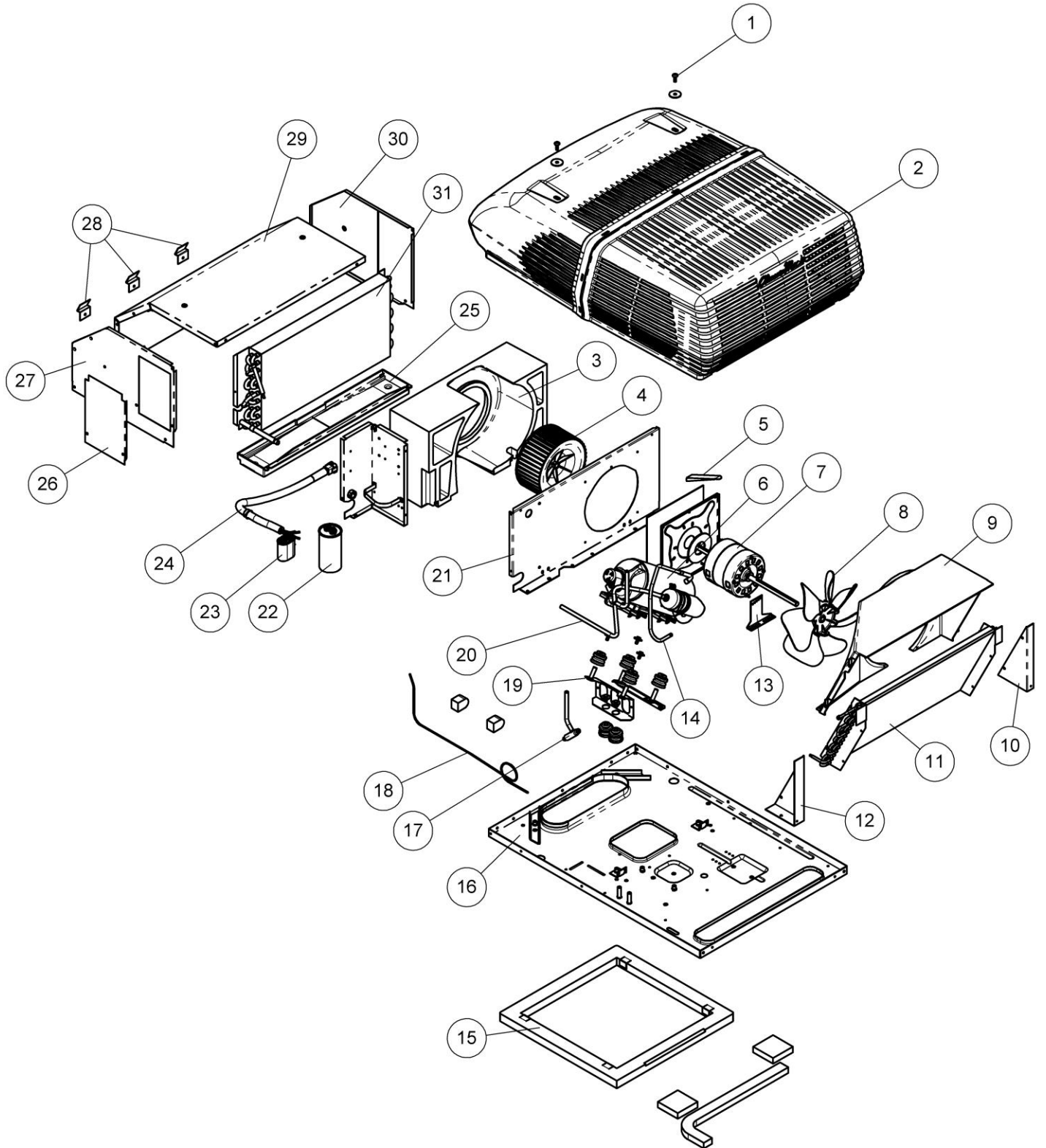
**WRITTEN CORRESPONDENCE**

All written correspondence (no parts) should be sent to the following address:

RV Products  
A Division of Airxcel, Inc.  
Dept. 546  
P.O. Box 4020  
Wichita, KS 67204

Coleman is a registered trademark of The Coleman Company, Inc. used under license. Mach is a registered trademark.

452X7\*66X



# 452X7\*66X



CODE	USED ON MODEL	PART NUMBER	DESCRIPTION	NO. REQUIRED
1.	All	45203-0011	Shroud Mounting Hardware Kit	1
2.	666	45203-5261	Shroud White	1
	679	45203-5291	Shroud Black	1
3.	All	45203A325	Scroll Block	1
4.	All	1472-1201	Blower Wheel	1
5.	All	45203-114	Shroud Bracket	1
6.	All	1450-4329	Compressor (AHM100E11UDA GMCC)	1
7.	All	1468A3069	Motor	1
8.	All	1472B5051	Fan Blade	1
9.	All	45203-326	Condenser Cover	1
10.	All	45203-110	Condenser Support Rt	1
11.	All	1452A2011	Outdoor Coil	1
12.	All	45203-109	Condenser Support Lt	1
13.	All	45203-116	Motor Bracket	1
14.	All	45207-131	Discharge Line	1
15.	All	48203-3301	Gasket Package	1
16.	All	45203A101	Basepan Assembly	1
17.	All	1454-308	Copper Tee	1
18.	All	45207-135	Capillary Tube	1
19.	All	45203-1121	Compressor Mounting Kit	1
20.	All	45207-130	Suction Line	1
21.	All	45203A102	Bulkhead	1
22.	All	1499-5781	Run Capacitor (70 MFD/370V)	1
23.	All	1499-5461	Fan Capacitor (7.5MFD/370V)	1
24.	All	8333B375	Conduit and Wire Assembly	1
25.	All	45203-350	Drain Pan	1
26.	All	45203-107	Control Box Door	1
27.	All	45203-503	Side Panel Assembly Left	1
28.	All	8333B155	Shroud Clip	3
29.	All	45303-505	Evap Cover	1
30.	All	45203-504	Side Panel Assembly Right	1
31.	All	1452-2171	Indoor Coil	1

#### Optional Start Device Pkg 9333-9021

Consists of: PTCR Start Device, Start Capacitor, Wire Assembly Red, Wire Assembly Yellow

#### SPECIAL ORDER PARTS:

NOTE: All parts with three digit suffix numbers are for reference and/or "Special Order" parts. These parts may not be provided for replacement or are subject to factory availability and require extra time for delivery.