



**REPAIR PARTS LIST  
FOR  
9430D715  
9430-717  
9630-715  
FREE DELIVERY CEILING ASSEMBLY**

---

**WARRANTY INFORMATION**

**PARTS RETURN**

“Air Conditioning” in-warranty parts subject to return to RV Products must be sent prepaid to the following address. Always include your company’s claim or workorder along with RVP’s invoice generated from the shipment of the replacement part.

RV Products  
A Division of Airxcel, Inc.  
Attn: Warranty Return  
3050 N. St. Francis  
Wichita, KS 67219

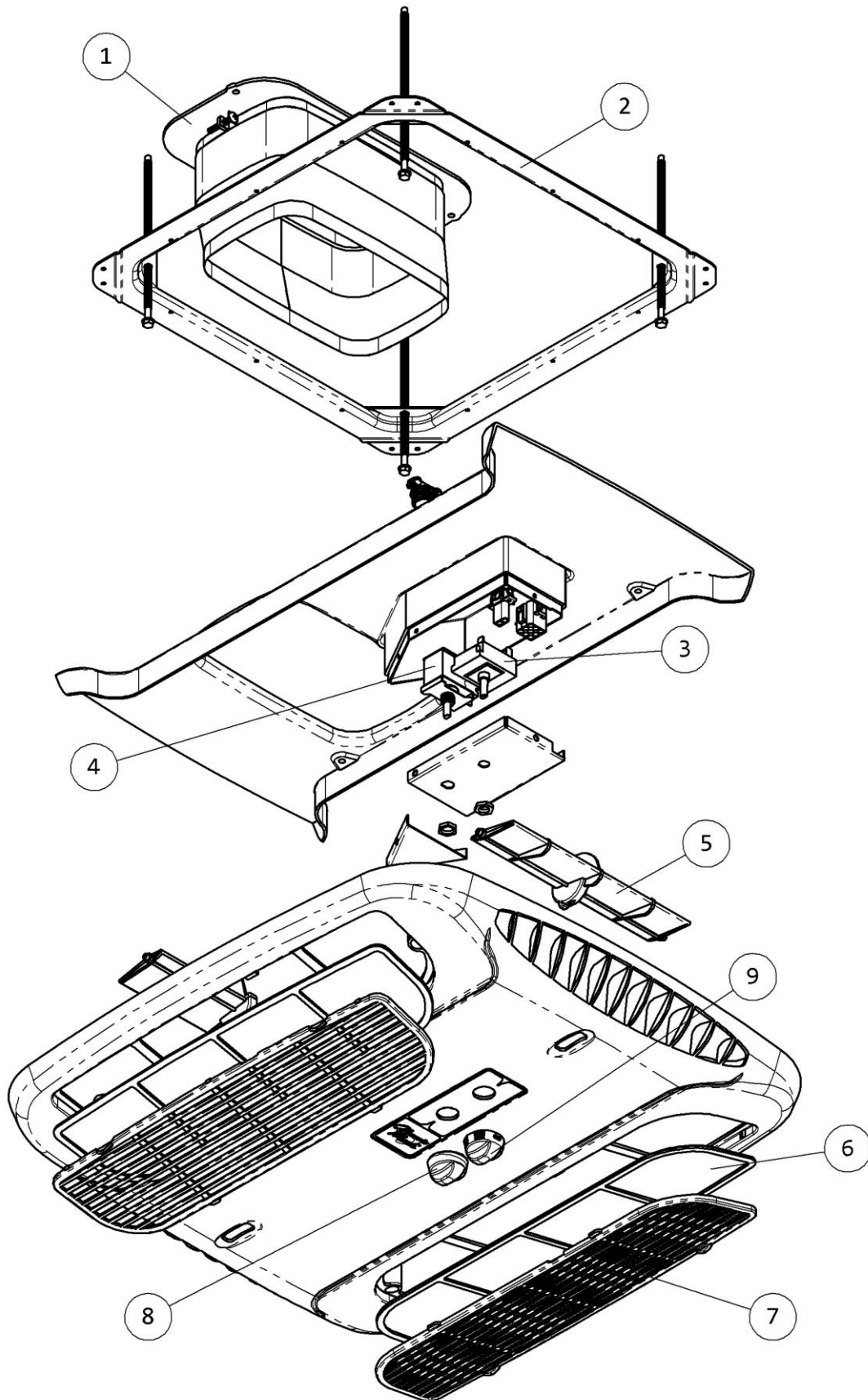
**WRITTEN CORRESPONDENCE**

All written correspondence (no parts) should be sent to the following address:

RV Products  
A Division of Airxcel, Inc.  
Dept. 546  
P.O. Box 4020  
Wichita, KS 67204

Coleman is a registered trademark of The Coleman Company, Inc. used under license. Mach is a registered trademark.

9430D715  
9430-717  
9630-715



9430D715  
9430-717  
9630-715



CODE	USED ON MODEL	PART NUMBER	DESCRIPTION	NO. REQUIRED
1.	All	9330A4541	Fabric Duct Collar	1
2.	All	8333A1031	Mounting Frame and Bolt Kit	1
3.	All	9330-3251	Selector Switch	1
4.	All	9430-3431	Thermostat	1
5.	All	9430A3051	Louver/Vane Package	2
6.	All	9430-3091	Filter	1
7.	9430D/9630	9430-4071	Grille (White)	1
	9430-717	9430-3171	Grille (Black)	1
8.	All	9430-3261	Thermostat Knob	1
9.	9430D/9430-717	9430-3271	Selector Switch Knob	1
	9630-715	9630-3111	HP Selector Switch Knob	1
ns	9430D/9430-717	9430-4991	Small Parts Package	1
	9630-715	9630-4991	Small Parts Package	1

ns = not shown

**SPECIAL ORDER PARTS:**

**NOTE:** All parts with three digit suffix numbers are "Special Order" parts. These parts are subject to factory availability and require extra time for delivery.