



**REPAIR PARTS LIST
FOR
480X8*96X
MACH 3 PS HEAT PUMP**

(Includes models 48008*966, 48008*969, 48058*966, 48058*969)

WARRANTY INFORMATION

PARTS RETURN

“Air Conditioning” in-warranty parts subject to return to RV Products must be sent prepaid to the following address. Always include your company’s claim or workorder along with RVP’s invoice generated from the shipment of the replacement part.

RV Products
A Division of Airxcel, Inc.
Attn: Warranty Return
3050 N. St. Francis
Wichita, KS 67219

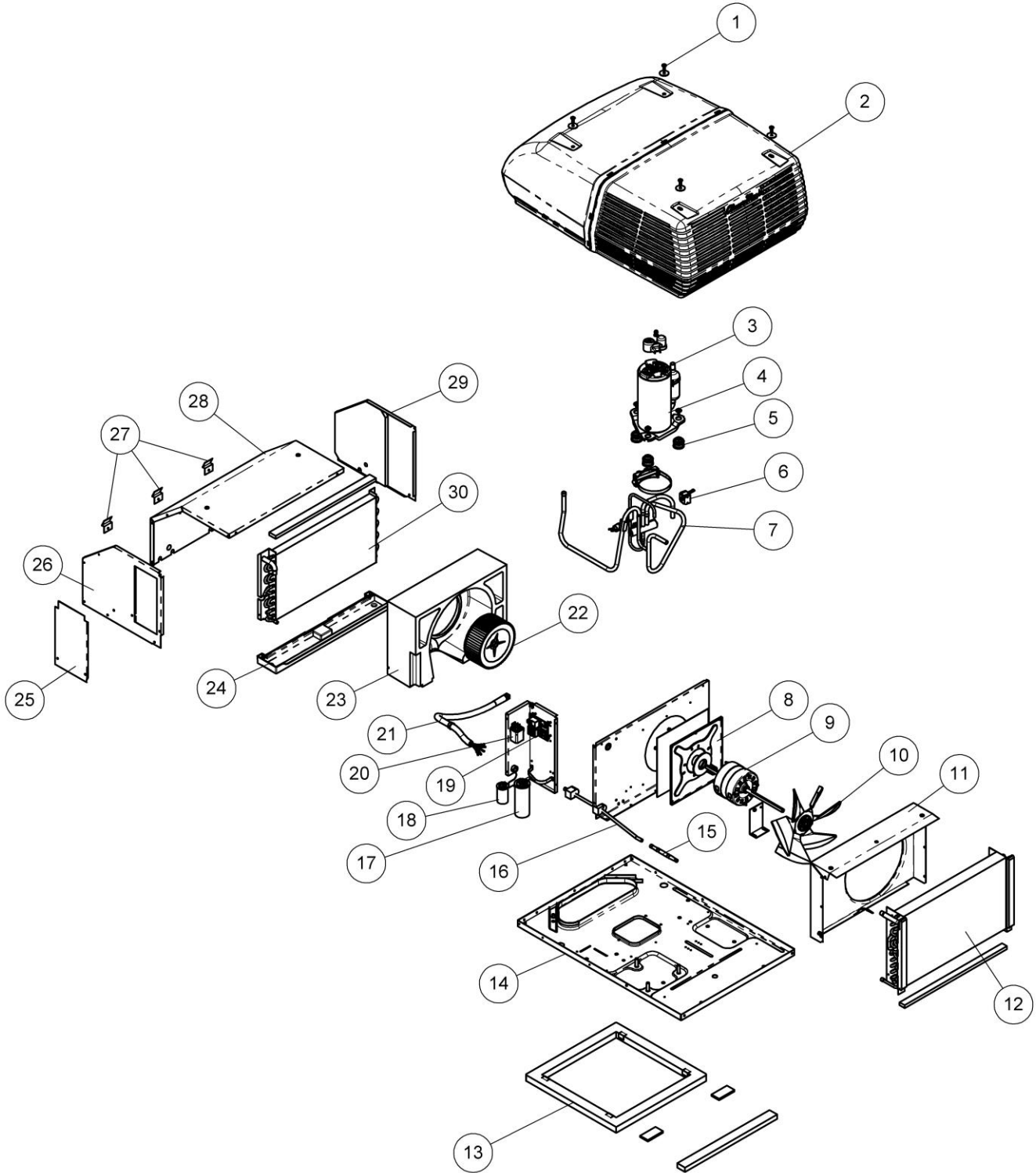
WRITTEN CORRESPONDENCE

All written correspondence (no parts) should be sent to the following address:

RV Products
A Division of Airxcel, Inc.
Dept. 546
P.O. Box 4020
Wichita, KS 67204

Coleman is a registered trademark of The Coleman Company, Inc. used under license. Mach is a registered trademark.

480X8*96X



480X8*96X



CODE	USED ON MODEL	PART NUMBER	DESCRIPTION	NO. REQUIRED
1.	All	6792-5111	Washer and Bolt package	1
2.	966	8335A5261	Shroud White	1
	969	8335A5291	Shroud Black	1
3.	All	1450-0261	Overload	1
4.	All	1450-4149	Compressor (Rechi 44A231B)	1
5.	All	8333-3081	Compressor Foot Package	1
6.	All	1460-1321	Solenoid Coil	1
7.	All	48008B535	Reversing Valve Assembly	1
8.	All	8333-115	Mounting Plate	1
9.	All	1468A3109	Motor	1
10.	All	6733-3221	Fan Blade	1
11.	All	6792-1071	Fan Shroud	1
12.	All	1452-2131	Outdoor Coil	1
13.	All	8332-3301	Gasket Package	1
14.	All	8333C1011	Basepan	1
15.	All	1454-266	Bi-flow Restrictor	1
16.	All	48004A136	Liquid Line	1
17.	All	1499-5761	Run Capacitor (60 Mfd/370V)	1
18.	All	1499-5461	Fan Capacitor (7.5 Mfd/370V)	1
19.	All	1460-3581	OD Temp Relay Board	1
20.	All	1460-1271	High Pressure Switch Relay	1
21.	All	8535C375	Conduit Assembly	1
22.	All	1472-1091	Blower Wheel	1
23.	All	8333-325	Scroll Block	1
24.	All	8335A3501	Drain Pan	1
25.	All	8333-109	Control Box Door	1
26.	All	8333-507	Side Panel (Left)	1
27.	All	8333B155	Shroud Clip	3
28.	All	8333A5061	Evaporator Cover	1
29.	All	8333-505	Side Panel (Right)	1
30.	All	1452-2121	Indoor Coil	1

SPECIAL ORDER PARTS:

NOTE: All parts with three digit suffix numbers are for reference and/or "Special Order" parts. These parts may not be provided for replacement or are subject to factory availability and require extra time for delivery.