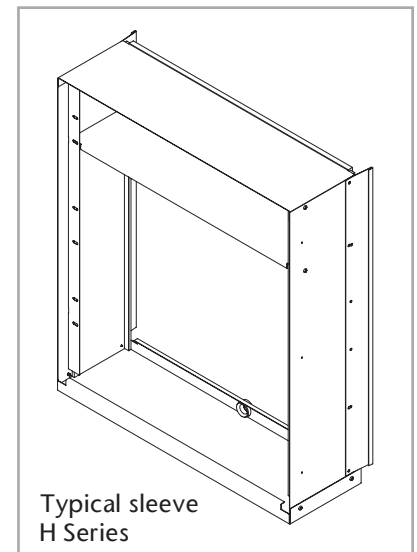
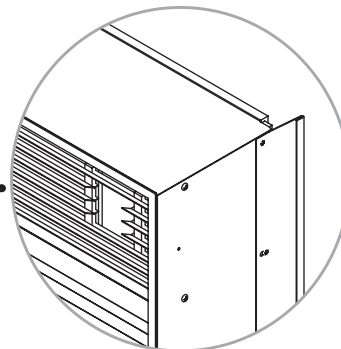
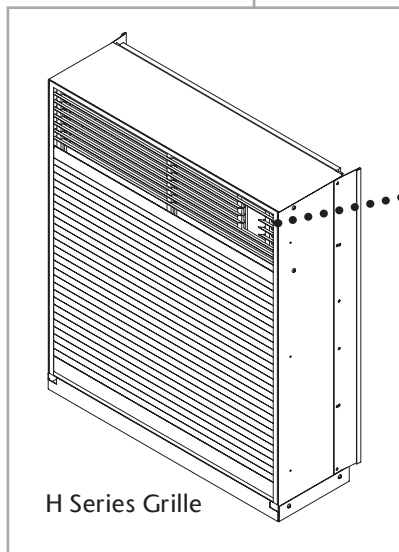


DYNAPACK ACCESSORIES - H Series

DYNAPACK ACCESSORIES - H SERIES		
PART NUMBER	DESCRIPTION	UNIT
1817	Architectural Grille, Aluminum Finish	DYPA12AC1A***, DYPA18AC1A*** and DYPA24AC1A***
1818	Architectural Grille, Bronze Finish	DYPA12AC1A***, DYPA18AC1A*** and DYPA24AC1A***
1819	Architectural Grille, Aluminum Finish	DYPA30AC1A*** and DYPA36AC1A***
1820	Architectural Grille, Bronze Finish	DYPA30AC1A*** and DYPA36AC1A***
1741	4" Wall Sleeve Kit	DYPA12AC1A***, DYPA18AC1A*** and DYPA24AC1A***
1742	6" Wall Sleeve Kit	DYPA12AC1A***, DYPA18AC1A*** and DYPA24AC1A***
1743	8" Wall Sleeve Kit	DYPA12AC1A***, DYPA18AC1A*** and DYPA24AC1A***
1744	10" Wall Sleeve Kit	DYPA12AC1A***, DYPA18AC1A*** and DYPA24AC1A***
1745	12" Wall Sleeve Kit	DYPA12AC1A***, DYPA18AC1A*** and DYPA24AC1A***
1769	14" Wall Sleeve Kit	DYPA12AC1A***, DYPA18AC1A*** and DYPA24AC1A***
1771	16" Wall Sleeve Kit	DYPA12AC1A***, DYPA18AC1A*** and DYPA24AC1A***
1773	17" Wall Sleeve Kit	DYPA12AC1A***, DYPA18AC1A*** and DYPA24AC1A***
1821	18" Wall Sleeve Kit	DYPA12AC1A***, DYPA18AC1A*** and DYPA24AC1A***
1823	20" Wall Sleeve Kit	DYPA12AC1A***, DYPA18AC1A*** and DYPA24AC1A***
1825	22" Wall Sleeve Kit	DYPA12AC1A***, DYPA18AC1A*** and DYPA24AC1A***
1736	4" Wall Sleeve Kit	DYPA30AC1A*** and DYPA36AC1A***
1737	6" Wall Sleeve Kit	DYPA30AC1A*** and DYPA36AC1A***
1738	8" Wall Sleeve Kit	DYPA30AC1A*** and DYPA36AC1A***
1739	10" Wall Sleeve Kit	DYPA30AC1A*** and DYPA36AC1A***
1740	12" Wall Sleeve Kit	DYPA30AC1A*** and DYPA36AC1A***
1770	14" Wall Sleeve Kit	DYPA30AC1A*** and DYPA36AC1A***
1772	16" Wall Sleeve Kit	DYPA30AC1A*** and DYPA36AC1A***
1774	17" Wall Sleeve Kit	DYPA30AC1A*** and DYPA36AC1A***
1822	18" Wall Sleeve Kit	DYPA30AC1A*** and DYPA36AC1A***
1824	20" Wall Sleeve Kit	DYPA30AC1A*** and DYPA36AC1A***
1826	22" Wall Sleeve Kit	DYPA30AC1A*** and DYPA36AC1A***

*** Sleeve and grille size contingent only on cooling capacity, not heating capacity.

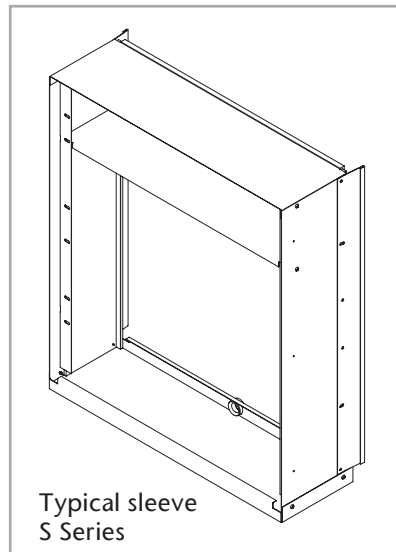
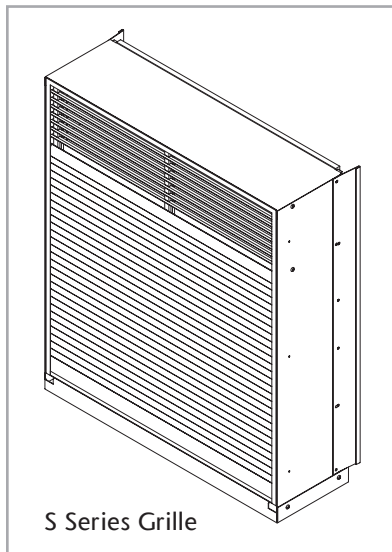


For both the H and S Series Dynapack units, the grille is designed to fit inside the sleeve.

DYNAPACK ACCESSORIES - S Series

DYNAPACK ACCESSORIES - S SERIES		
PART NUMBER	DESCRIPTION	UNIT
1746	Architectural Grille, Aluminum Finish	DYPA12AC1A***, DYPA18AC1A*** and DYPA24AC1A***
1747	Architectural Grille, Bronze Finish	DYPA12AC1A***, DYPA18AC1A*** and DYPA24AC1A***
1748	Architectural Grille, Aluminum Finish	DYPA30AC1A*** and DYPA36AC1A***
1749	Architectural Grille, Bronze Finish	DYPA30AC1A*** and DYPA36AC1A***
521051	LP Conversion Kit, S Series only	36,000 BTU input, 48,000 BTU input and 60,000 BTU input
1741	4" Wall Sleeve Kit	DYPA12AC1A***, DYPA18AC1A*** and DYPA24AC1A***
1742	6" Wall Sleeve Kit	DYPA12AC1A***, DYPA18AC1A*** and DYPA24AC1A***
1743	8" Wall Sleeve Kit	DYPA12AC1A***, DYPA18AC1A*** and DYPA24AC1A***
1744	10" Wall Sleeve Kit	DYPA12AC1A***, DYPA18AC1A*** and DYPA24AC1A***
1745	12" Wall Sleeve Kit	DYPA12AC1A***, DYPA18AC1A*** and DYPA24AC1A***
1769	14" Wall Sleeve Kit	DYPA12AC1A***, DYPA18AC1A*** and DYPA24AC1A***
1771	16" Wall Sleeve Kit	DYPA12AC1A***, DYPA18AC1A*** and DYPA24AC1A***
1773	17" Wall Sleeve Kit	DYPA12AC1A***, DYPA18AC1A*** and DYPA24AC1A***
1821	18" Wall Sleeve Kit	DYPA12AC1A***, DYPA18AC1A*** and DYPA24AC1A***
1823	20" Wall Sleeve Kit	DYPA12AC1A***, DYPA18AC1A*** and DYPA24AC1A***
1825	22" Wall Sleeve Kit	DYPA12AC1A***, DYPA18AC1A*** and DYPA24AC1A***
1736	4" Wall Sleeve Kit	DYPA30AC1A*** and DYPA36AC1A***
1737	6" Wall Sleeve Kit	DYPA30AC1A*** and DYPA36AC1A***
1738	8" Wall Sleeve Kit	DYPA30AC1A*** and DYPA36AC1A***
1739	10" Wall Sleeve Kit	DYPA30AC1A*** and DYPA36AC1A***
1740	12" Wall Sleeve Kit	DYPA30AC1A*** and DYPA36AC1A***
1770	14" Wall Sleeve Kit	DYPA30AC1A*** and DYPA36AC1A***
1772	16" Wall Sleeve Kit	DYPA30AC1A*** and DYPA36AC1A***
1774	17" Wall Sleeve Kit	DYPA30AC1A*** and DYPA36AC1A***
1822	18" Wall Sleeve Kit	DYPA30AC1A*** and DYPA36AC1A***
1824	20" Wall Sleeve Kit	DYPA30AC1A*** and DYPA36AC1A***
1826	22" Wall Sleeve Kit	DYPA30AC1A*** and DYPA36AC1A***

*** Sleeve and grille size contingent only on cooling capacity, not heating capacity.



For both the H and S Series Dynapack units, the grille is designed to fit inside the sleeve.