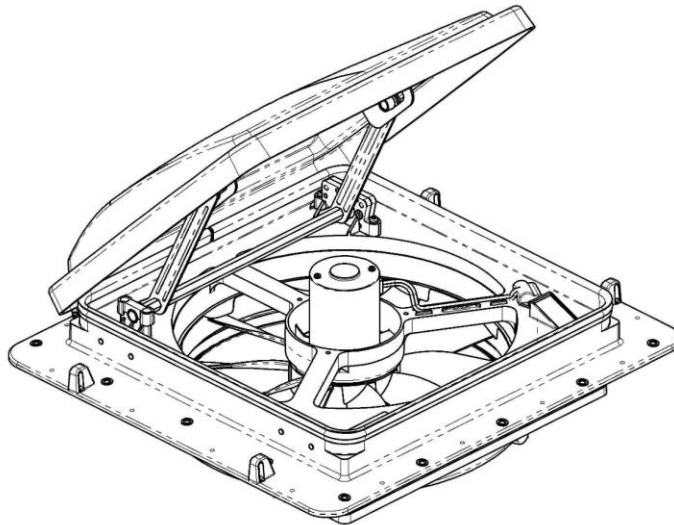


MAXXFAN®

REPAIR PARTS LIST FOR MAXXFAN® Standard International MODELS 4000KI(A), 4500KI(T), 4540KI(A)



WARRANTY INFORMATION

Please has the **SERIAL NUMBER** of your **MAXXFAN Deluxe** available when calling for parts and service. To locate your serial number, please refer to the figure on page 3 for serial number location.

For technical assistance, repair parts or warranty claim assistance concerning your MAXXFAN Deluxe, please contact us at 316.832.3400.

For full WARRANTY terms and conditions, please visit www.AIRXCEL.com.

PLEASE NOTE: For full WARRANTY terms and conditions on products purchased in Australia or New Zealand, please visit www.coastrv.com.au or www.coastrv.co.nz.

For products purchased outside of the US, Australia or New Zealand, please contact your local AIRXCEL, INC. distributor.

WARNING! To reduce the risk of fire, injury to persons or damage to property, use only in the manner intended by AIRXCEL, INC. Should you have questions, please contact AIRXCEL/MAXXAIR VENTILATION SOLUTIONS Customer Service at 316.832.3400.



AIRXCEL, INC. – RV Products Division / MAXXAIR

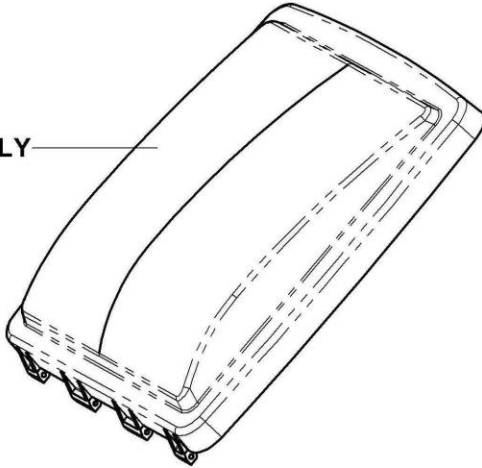
REPAIR PARTS LIST

FOR MAXXFAN Standard International

MODELS 4000KI(A), 4500KI(T), 4540KI(A)

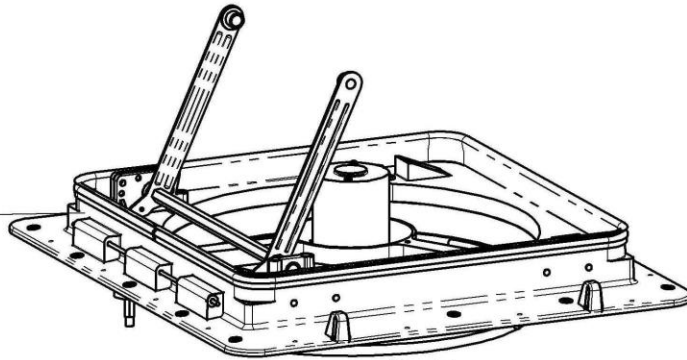
MAXXFAN STANDARD LID ASSEMBLY

White: 12-00056
Smoke: 12-00057
Tint: 12-00076



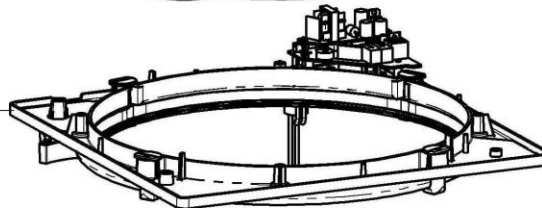
VENT FRAME ASSEMBLY

See Page 4 for detailed parts breakdown



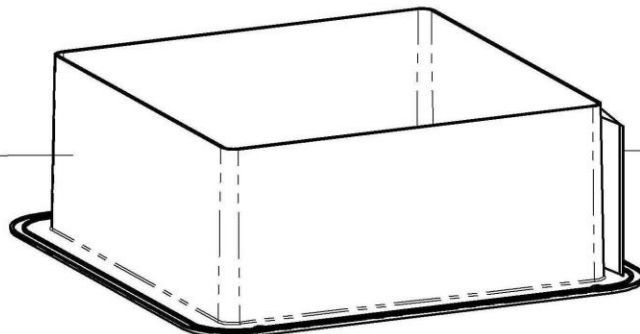
CONTROL PLATE ASSEMBLY

See Page 3 for detailed parts breakdown



GARNISH RING INTERIOR

White: 10A20211-3.0

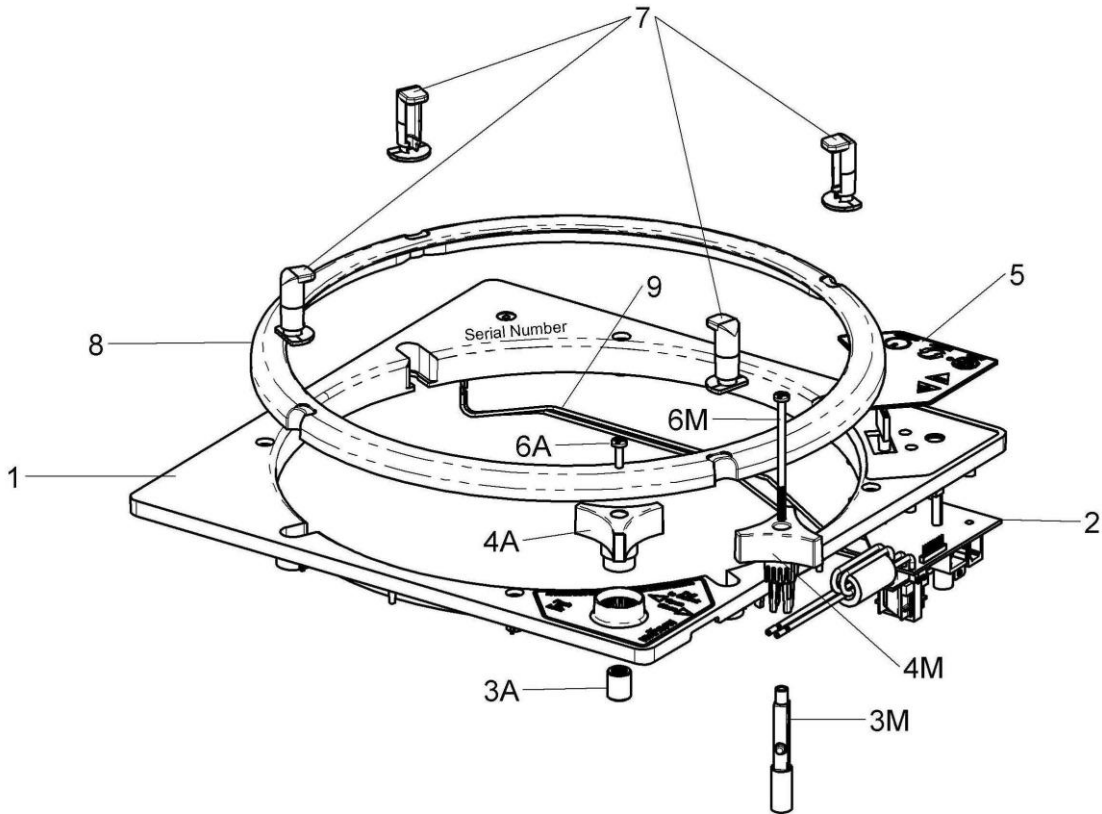


HARDWARE KIT
11-00060



HANDHELD REMOTE
Intake/Exhaust: 00A01150K

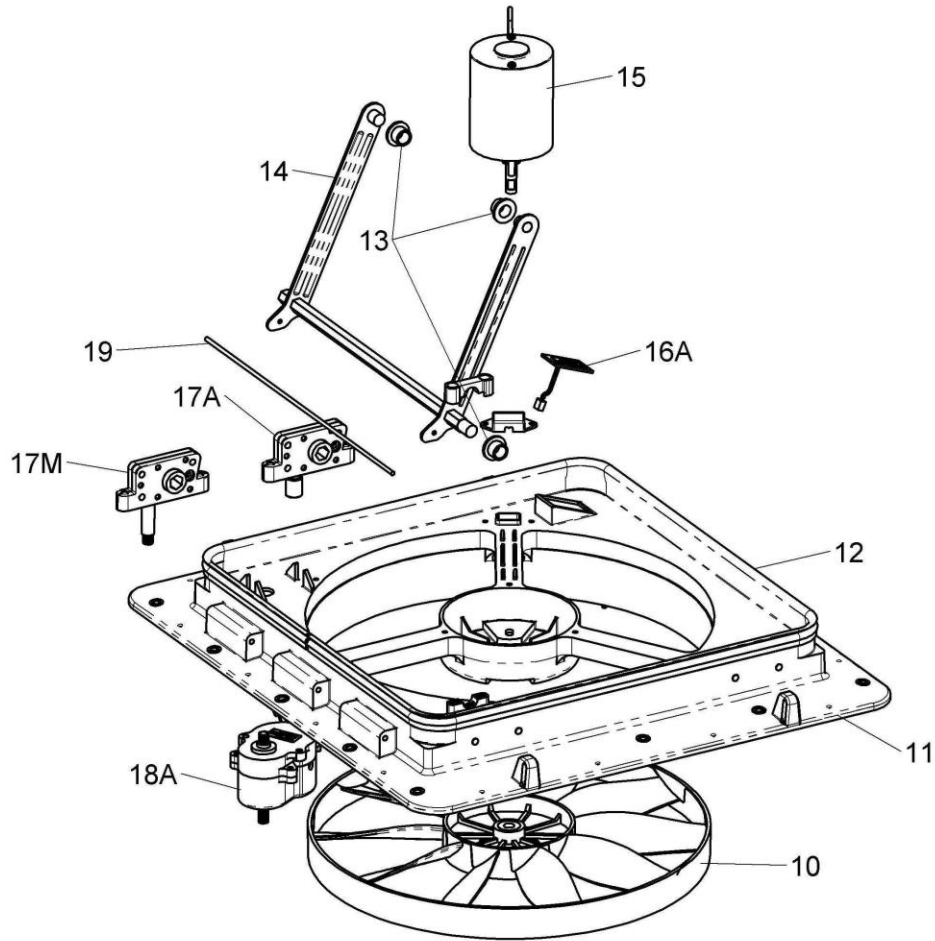
CONTROL PLATE ASSEMBLY



CODE	USED ON MODELS	PART NUMBER	DESCRIPTION	NO. REQ.
1	All	05-20226K	Control Plate	1
2	All	10-21277K	Printed Circuit Board	1
3M	4000KI	10-21232K	Locking Knob Shaft	1
3A	4500KI, 4540KI	10-20277	Lift Motor Coupler	1
4M	4000KI	05-21236K	Locking Knob	1
4A	4500KI, 4540KI	10-20223	Knob, 3 Wing	1
5	4000KI	10-21299KI	Keypad	1
	4500KI, 4540KI	10-40005KI	Keypad	1
6M	4000KI	10-21241K	Locking Knob Screw	1
6A	4500KI, 4540KI	10-20265K	Knob Screw, 3 Wing	1
7	All	05-21233	Finger, Screen	4
8	All	05-30925	Round Interior Screen	1
9	All	10-40001K	Thermistor	1

NOTE: M = Manual Opening Models | A = Automatic (Remote) Opening Models

VENT FRAME ASSEMBLY DETAIL



CODE	USED ON MODELS	PART NUMBER	DESCRIPTION	NO. REQ.
10	All	10-20258KS	Fan Blade	1
11	All	10-21217K	Base*	1
12	All	10-20233	Rubber Seal	1
13	All	10-20287	Bushing	3
14	All	10-20222KS	Lifter Arm	1
15	All	10-20967	Fan Motor	1
16A	4500KI, 4540KI	10-40007K	Rain Sensor	1
17M	4000KI	10-20281K-3CF	Operator Mechanism, Manual Lift	1
17A	4500KI, 4540KI	10-20281K-1AF	Operator Mechanism, Automatic	1
18A	4500KI, 4540KI	10-20270	Lift Motor	1
19	All	10-40003K	Lid Hinge Pin	1

NOTE: M = Manual Opening Models | A = Automatic (Remote) Opening Models
 * NOT AVAILABLE FOR REPLACEMENT. Only option available is to replace the product.