



Wall Mount Transition Plenum

Model WMA42-60

General Description

The Marvair® wall mount transition plenum is designed for use in conjunction with Marvair ComPac® II air conditioners with the factory installed economizer, models AVP42-48-60. The transition plenum allows the quick replacement of Marvair 2-1/2 and 3 ton units, models AVP30 and AVP36, with air conditioners with higher cooling capacities, models AVP42, AVP48 or AVP60. Installation is simplified because the original supply and return air openings are used; new openings are not required.

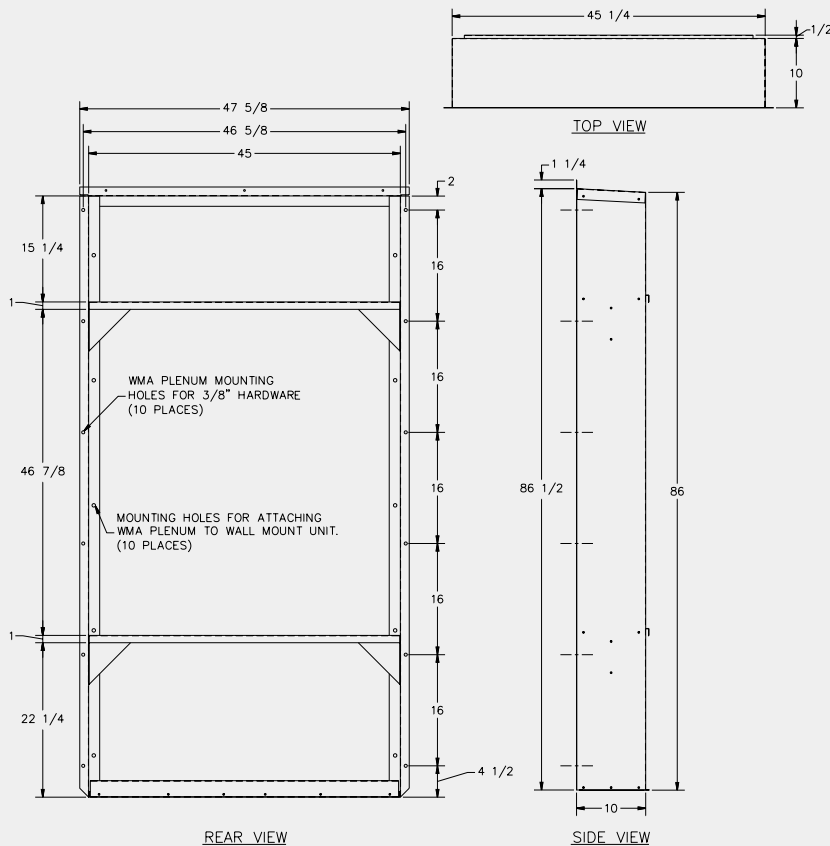
For applications of the Marvair® ComPac® I air conditioner, the Marvair ECU60 should be used. Please see the ECU60 Product Data Sheet.

The transition plenum is available in various colors in order to match the color of the air conditioner.

Model No.	Marvair® A/C Model	Plenum Color
WMA42-60-1000	AVP42, AVP48, AVP60	Beige
WMA42-60-2000	AVP42, AVP48, AVP60	Gray
WMA42-60-3000	AVP42, AVP48, AVP60	Brown
WMA42-60-4000	AVP42, AVP48, AVP60	White

IMPORTANT: When using the wall mount transition plenum with an air conditioner with electric heat, a sealed sheet metal duct **MUST** be connected to the supply flange on the air conditioner and extend through the supply opening in the wall. Maintain a one inch clearance between the sheet metal duct and all combustible material for the first three feet of the duct. Reference NFPA Std. 90B.

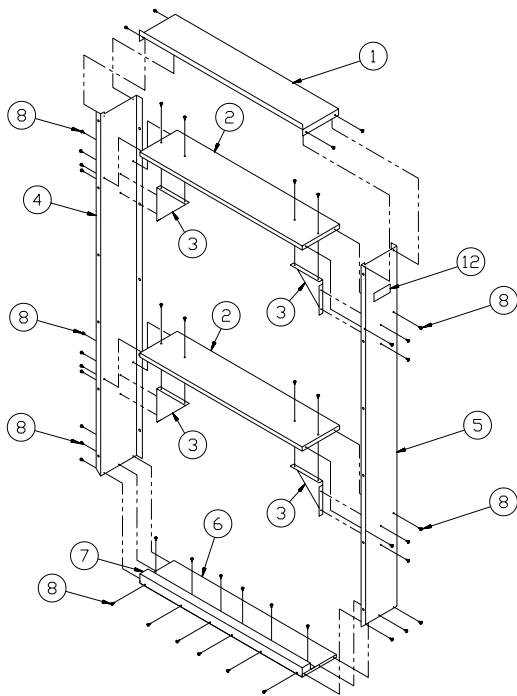
Dimensional Data



Note: All dimensions are in inches.

Installation of WMA

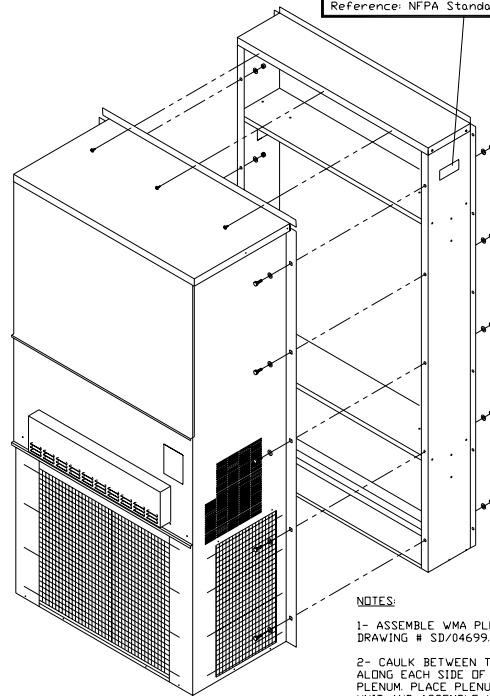
- Electrical - The electrical wiring to the ComPac® II air conditioner and the external circuit breaker must be reviewed to determine if any changes are required. Refer to the data sticker on the new air conditioner for the necessary information.
- The transition plenum is shipped unassembled. Using the supplied hardware, assemble the transition plenum as shown in Dwg. SD/04699.
- Apply outdoor caulk or appropriate sealer between the top flange and along each side of the ComPac® II air conditioner and the transition plenum. Mate plenum to back of the air conditioner using 7/16" hardware provided. Secure the top flange of the air conditioner to the plenum with the #10 drill point screws provided.
- Apply outdoor caulk or appropriate sealer around the top and side flanges and along the middle partitions of the plenum.
- Mount the plenum and unit onto the building using 3/8" hardware (not provided). Note that new mounting holes will be required.



ITEM	PART No.	DESCRIPTION	QTY
1	MD/04510-IN	TOP PANEL	1
2	MD/04508-IN	DIVIDER PLATE	2
3	MD/04507	GUSSET	4
4	MD/04506-IN	RH SIDE PANEL	1
5	MD/04505-IN	LH SIDE PANEL	1
6	MD/04509	BOTTOM PANEL	2
7	MD/04541	BASE STIFFENER	2
8	90740	SCREW-#10 X 1/2" SERR. HX HD.SLTD.	48
9	90955	7/16-14X1 LG HEX HD BOLT	10
10	90956	7/16-14 NYLOCK HEX NUT	10
11	90957	7/16-14 FLAT WASHER	20
12	LA/01074	ELECTRIC HEAT LABEL	1
11	90458	#10 TKS SCREW	3
12	ID/01363	INSTALLATION INSTRUCTIONS	1

DWG SD/04699

WARNING!
When using this "Wall Mount Adapter Kit" with a wall mount air conditioner that contains an electric heater, a sealed sheet metal duct **MUST** be connected to the unit supply flange and extended through the wall supply opening. Maintain a 1 inch clearance between the sheet metal duct and all combustible material for the first 3 feet.
Reference: NFPA Standard 90B LA/01074



NOTES:

- 1- ASSEMBLE WMA PLENUM PER DRAWING # SD/04699.
- 2- CAULK BETWEEN TOP FLANGE AND ALONG EACH SIDE OF AC UNIT AND PLENUM. PLACE PLENUM TO BACK OF AC UNIT AND ASSEMBLE WITH THE 7/16" HARDWARE PROVIDED. SECURE TOP FLANGE OF AC UNIT TO PLENUM ASSEMBLY WITH #10 DRILL POINT SCREWS PROVIDED.
- 3- CAULK AROUND TOP, SIDE, AND MIDDLE FLANGES OF PLENUM. MOUNT PLENUM TO BUILDING USING 3/8" HARDWARE.

Detailed dimensional data available upon request. A complete warranty statement can be found on our website, www.marvair.com or by contacting Marvair® at 229-273-3636. As part of the Marvair continuous improvement program, specifications are subject to change without notice.



P.O. Box 400 • Cordele, GA 31010
156 Seedling Drive • Cordele, GA 31015
Ph: 229-273-3636 • Fax: 229-273-5154
Email: marvair@airxccl.com • Internet: www.marvair.com