



**COLEMAN-MACH  
DATA INQUIRY SHEET  
471X3\*79X5  
MACH 8 HEAT PUMP**

Cooling Capacity <sup>1</sup>	3.1 kw
Electrical Rating	240 VAC, 50 HZ, 1 Phase
Cooling Full Load AMP's at A.H.R.I. Standard Condition, 26.7°C Indoor, 35°C Outdoor	Compressor            4.8 I.D. Motor    Low -.1    High -.2 O.D. Motor            .35
Running Watts (cooling) A.H.R.I. Standard Condition	1220
Running Watts (cooling) Desert Condition <sup>2</sup> 37.8°C Indoor, 48.9°C Outdoor	1505
Compressor Locked Rotor Amps	28
Metering Device	Bi-Flow Restrictor
Refrigerant Charge – R-407C	595 Grams
Evaporator Air Delivery	118 L/S
Generator Size	See “Generators” Below
Unit Weight - includes ceiling assembly and Easy Start™	50.8 Kg
Use time delay fuse or circuit breaker Max. rated 15 Amps, Use min. 14 AWG copper supply wires. Use time delay fuse or circuit breaker Min. rated 10 Amps, Use min. 14 AWG copper supply wires.	

<sup>1</sup>Rated Cooling Capacity of the Compressor

**GENERATORS:**

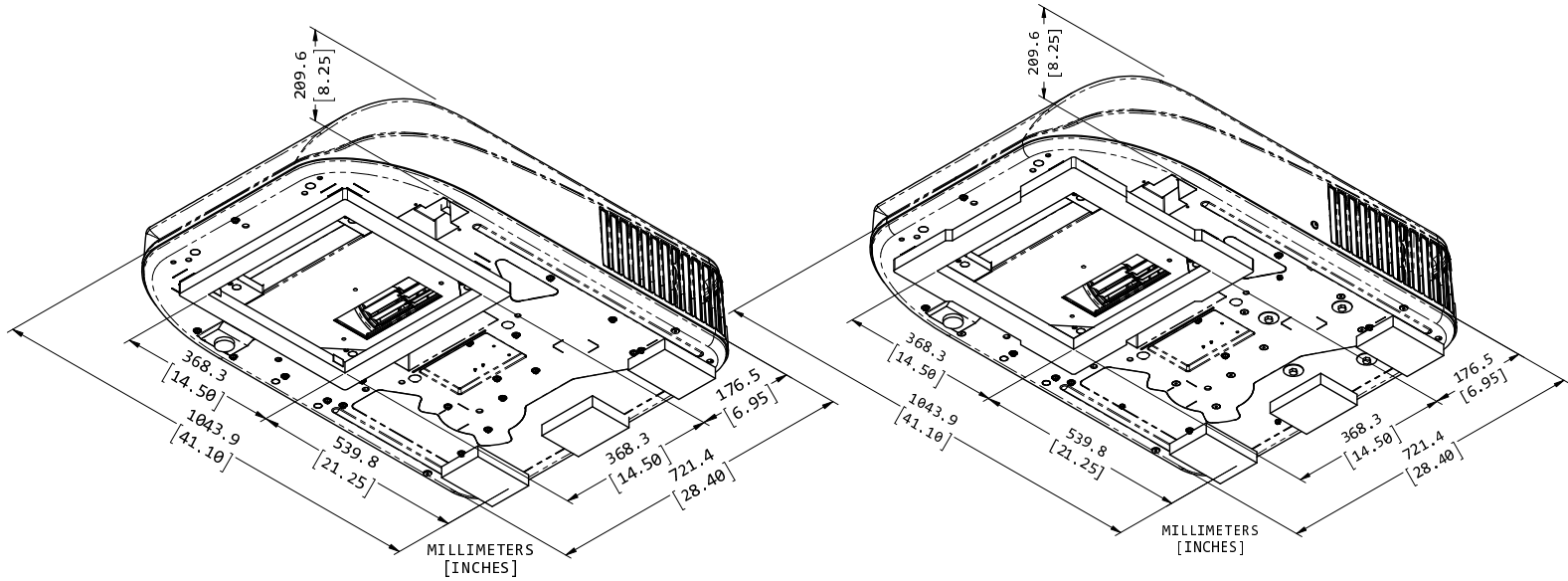
It is not the policy of Airxcel, Inc. to size generators for application in Recreation Vehicles or related structures. However, when sizing generators, the total electrical power consumption in Watts must be determined and taken into consideration, such as:

- A. Maximum running watts of the air conditioner at Airxcel, Inc. Desert Test (See Specifications).  
<sup>2</sup> Desert Conditions 100°F/72°F (38°C/22.2°C) Indoor (DB/WB); 120°F (48.8°C) Outdoor.
- B. Power consumption of electronic ovens, toasters, coffeemakers, television sets, refrigerators, lights, etc.
- C. Generators do lose capacity under the following conditions: (1) Altitude increases above sea level, (2) Temperature increases above certain outdoor design temperatures, and (3) Lack of maintenance.

**Airxcel Inc.  
RV Products Division  
P.O. Box 4020  
Wichita, KS 67204**

Coleman is a registered trademark of The Coleman Company, Inc. used under license. Mach is a registered trademark.

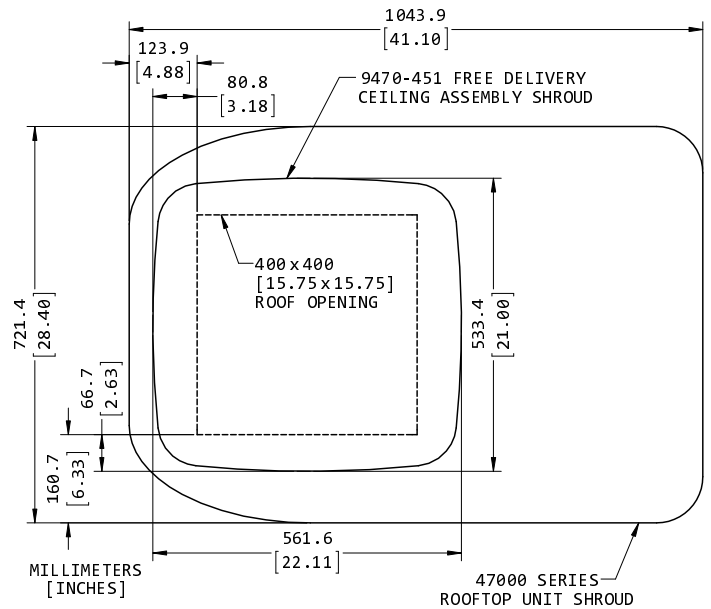
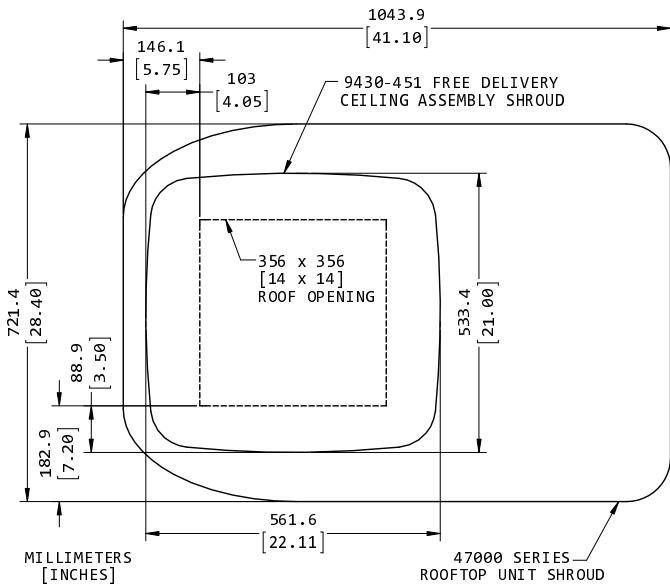
## ROOF TOP UNIT DIMENSIONS



47153\*79X5

47103\*79X5 & 47103\*79X7  
16" Gasket version fits 14" or 16" openings.

## CEILING SHROUD DIMENSIONS



## CEILING SHROUD DIMENSIONS

DIMENSIONS (mm/inches)	
Exterior Shroud	Height 210/8.25
	Width 721/28.40
	Length 1,044/41.10
Interior Shroud	Depth 51/2.0
	Width 533/21.00
	Length 562/22.11

