



**REPAIR PARTS LIST
FOR
452X4*87X2
MACH 10**

(45204*8762, 45204*8792, 45254*8762, 45254*8792) Effective 10/5/16

WARRANTY INFORMATION

PARTS RETURN

“Air Conditioning” in-warranty parts subject to return to RV Products must be sent prepaid to the following address. Always include your company’s claim or workorder along with RVP’s invoice generated from the shipment of the replacement part.

RV Products
A Division of Airxcel, Inc.
Attn: Warranty Return
3050 N. St. Francis
Wichita, KS 67219

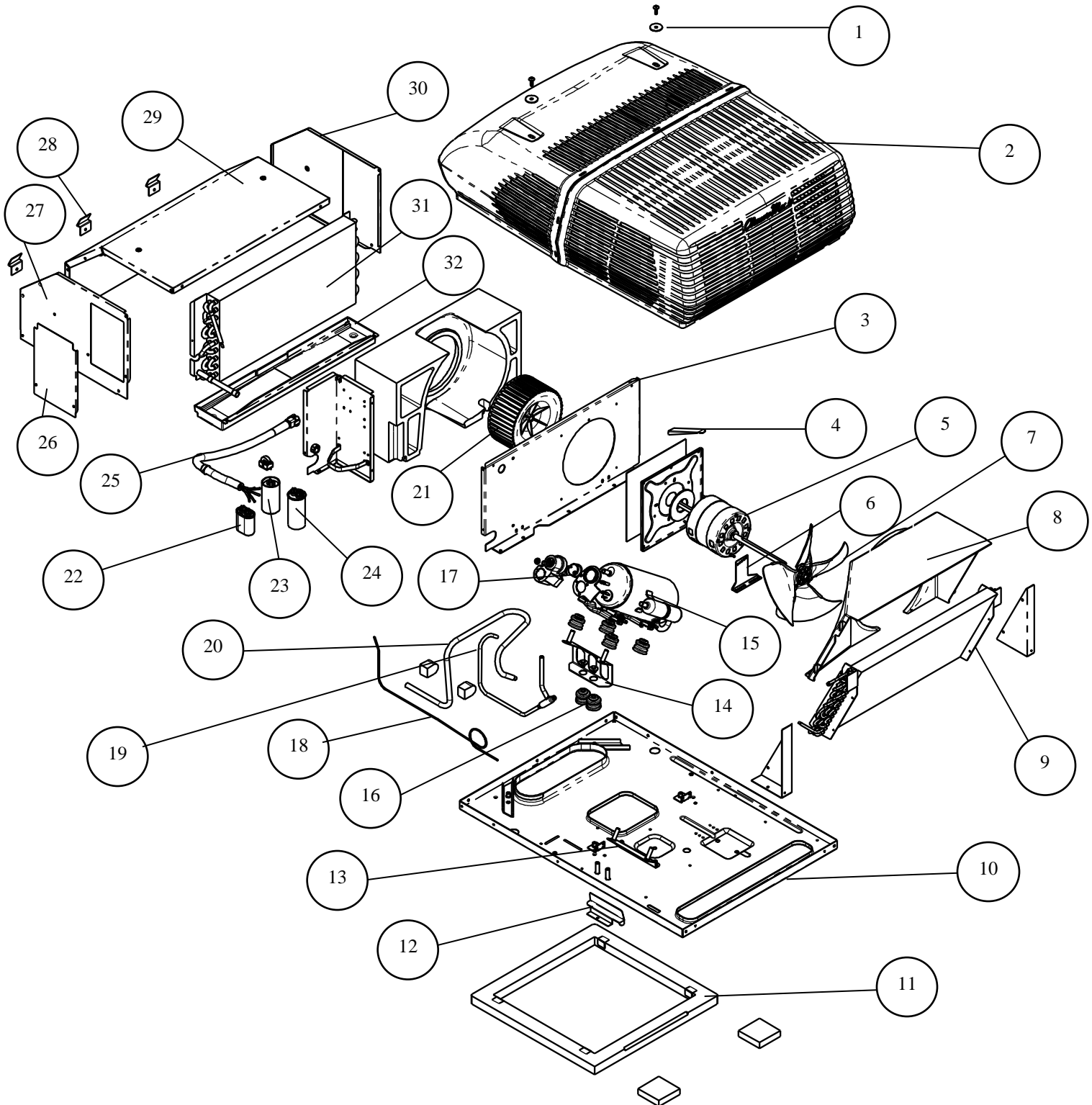
WRITTEN CORRESPONDENCE

All written correspondence (no parts) should be sent to the following address:

RV Products
A Division of Airxcel, Inc.
Dept. 546
P.O. Box 4020
Wichita, KS 67204

Coleman is a registered trademark of The Coleman Company, Inc. used under license. Mach is a registered trademark.

452X4*87X2



452X4*87X2



CODE	USED ON MODEL	PART NUMBER	DESCRIPTION	NO. REQUIRED
1.	All	45203-0011	Shroud Mounting Hardware Kit	1
2.	8X6	45203-5261	Shroud White	1
2.	8X9	45203-5291	Shroud Black	1
3.	All	45203-102	Bulkhead	1
4.	All	45203-114	Shroud Support Bracket	1
5.	All	1468A3069	Motor	1
6.	All	45203-116	Motor Bracket	1
7.	All	1472-5051	Fan Blade	1
8.	All	45203-326	Condenser Cover	1
9.	All	1452-211	Condenser Coil	1
10.	All	45203A101	Basepan	1
11.	All	8332-3301	Gasket Package	1
12.	All	45203-117	Blower Baffle	1
13.	All	45203-112	Compressor Bracket Lower	1
14.	All	45203-113	Compressor Bracket Upper	1
15.	All	1450-4239	Compressor (Tecumseh – HGBB515BAA)	1
16.	87X	6759-3081	Compressor Foot Package	2
17.	All	1450-0311	Overload Protector	1
18.	All	45204-135	Cap Tube Formed	1
19.	All	45204-531	Discharge Line	1
20.	All	45204-130	Suction Line	1
21.	All	1472-1201	Blower Wheel	1
22.	All	1499-5461	Fan Capacitor (7.5 Mfd/370V)	1
23.	All	9333-9021	Start Device Package...Includes PTCR Device	1
24.	All	1499-5761	Run Capacitor (60 Mfd/370V)	1
25.	All	48203-375	Conduit Assembly	1
26.	All	45203-107	Control Box Door	1
27.	All	45203-503	Side Panel Left	1
28.	All	8333B1551	Shroud Bracket	3
29.	All	45203B505	Evaporator Cover	1
30.	All	45203-504	Side Panel Right	1
31.	All	1452-206	Evaporator Coil	1
32.	All	45203-350	Drain Pan	1

ns = not shown

SPECIAL ORDER PARTS:

NOTE: All parts with three digit suffix numbers are “Special Order” parts. These parts are subject to factory availability and require extra time for delivery.