



**RV Products Division**

**REPAIR PARTS LIST  
FOR  
48203\*8666 SERIES  
(serial numbers starting with 1501 and later)  
MARINE MACH EZ**

---

**WARRANTY INFORMATION**

**PARTS RETURN**

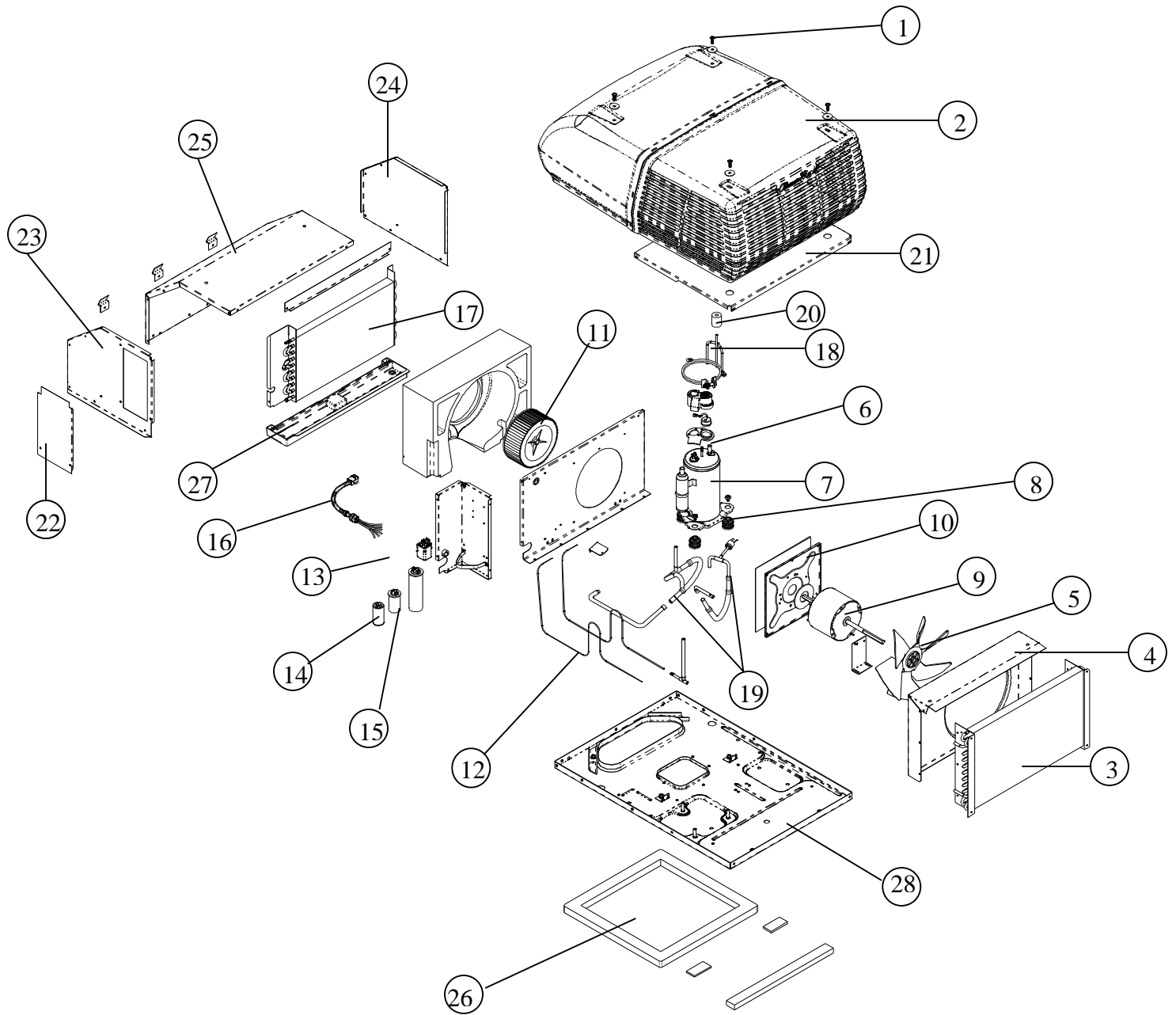
“Air Conditioning” in-warranty parts subject to return to Airxcel, Inc. must be sent prepaid to the following address. Always include your company’s claim or work order along with the Airxcel, Inc. invoice generated from the shipment of the replacement part.

Airxcel, Inc.  
RV Products Division  
Attn: Warranty Return  
3050 N. St. Francis  
Wichita, KS 67219

**WRITTEN CORRESPONDENCE**

All written correspondence (no parts) should be sent to the following address:

Airxcel, Inc.  
RV Products Division  
Dept. 546  
P.O. Box 4020  
Wichita, KS 67204



**48203\*8666  
SERIES**



<b>CODE</b>	<b>USED ON MODELS</b>	<b>PART NUMBER</b>	<b>DESCRIPTION</b>	<b>NO. REQ.</b>
1.	All	6792-5111	Screw Nut & Washer (4 Pkg.)	1
2.	All	8335A5261	Shroud (Arctic White/Arctic White)	1
3.	All	1452-1391	Condenser Coil	1
4.	All	8533A302	Fan Shroud	1
5.	All	6733-3221	Fan Blade (6 Blade, 11 Dia., 40 Degree Pitch, .50 Dia. Bore)	1
6.	All	1450-031	Overload	1
7.	All	1450-4219	Compressor (Tecumseh RG373AR-914-A4Y)	1
8.	All	6759-3081	Compressor Mounting Pkg. (3/Pkg.)	1
9.	All	1468-3179	Motor (115V, 60 HZ)	1
10.	All	8533-3151	Mount & Seal Kit	1
11.	All	1472-1091	Impellor	1
12.	All	7473-1351	Cap Tube (Formed)	1
13.	All	1460-1271	Relay	1
14.	All	1499-5721	Run Capacitor (40 Mfd/370V)	1
15.	All	1499-5461	Fan Capacitor (7.5 Mfd/370V)	1
16.	All	48203-3751	Conduit & Wiring Assembly (6 wires)	1
17.	All	1452A155	Evaporator Coil	1
18.	All	48203-301	Compressor Stabilizer	1
19.	All	48203-302	Flexible Refrigeration Hose	2
20.	All	6770-3011	Compressor Snubber	1
21.	All	48203-3501	Top Brace Assy. Painted	1
22.	All	8533-309	Wirebox Door (Painted)	1
23.	All	8533-504	Side Panel Left with Insulation	1
24.	All	8533-505	Side Panel Right with Insulation	1
25.	All	8533A506	Evaporator Cover Assembly with Insulation	1
26.	All	8332-3301	Gasket Pkg.	1
27.	All	8335A3501	Drain Pan	1
28.	All	8533B301	Basepan Assembly with Foam Scroll	1
ns	All	8533B355	Shroud Bracket	3
ns	All	1460-1541	High Pressure Switch	1

ns = not shown

**SPECIAL ORDER PARTS:**

**NOTE: All parts with three digit suffix numbers are "Special Order" Parts. These parts are subject to factory availability and require extra time for delivery.**