



**RV Products Division**

**REPAIR PARTS LIST  
FOR  
46515-811  
SERIES HIGH EFFICIENCY  
TWO TON PACKAGED HEAT PUMPS**

---

**WARRANTY INFORMATION**

**PARTS RETURN**

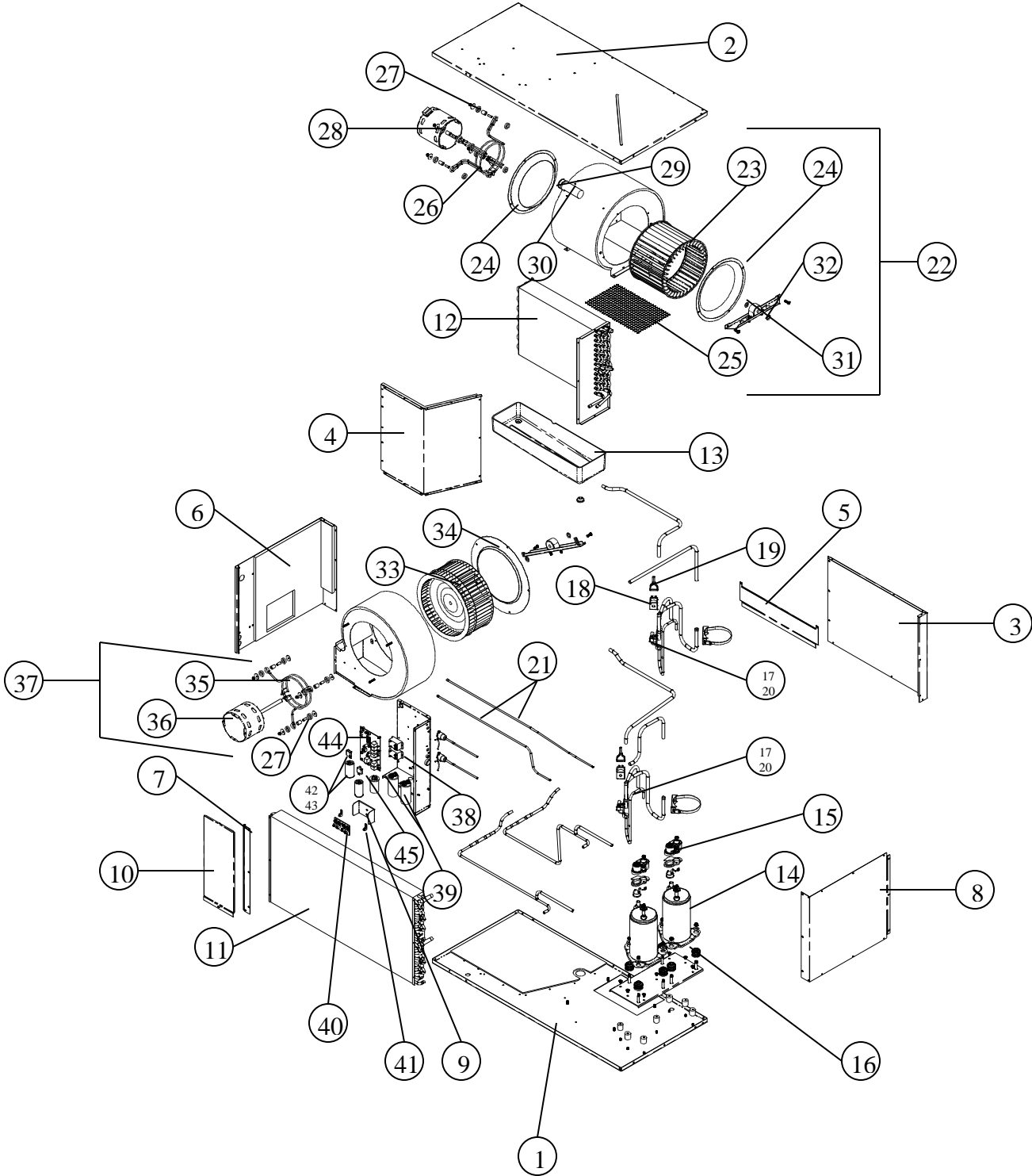
“Air Conditioning” in-warranty parts subject to return to Airxcel, Inc. must be sent prepaid to the following address. Always include your company’s claim or work order along with the Airxcel, Inc. invoice generated from the shipment of the replacement part.

Airxcel, Inc.  
RV Products Division  
Attn: Warranty Return  
3050 N. St. Francis  
Wichita, KS 67219

**WRITTEN CORRESPONDENCE**

All written correspondence (no parts) should be sent to the following address:

Airxcel, Inc.  
RV Products Division  
Dept. 546  
P.O. Box 4020  
Wichita, KS 67204



# 46515-811 SERIES



## RV Products Division

CODE	USED ON MODELS	PART NUMBER	DESCRIPTION	NO. REQ.
1.	All	6535-606	Basepan Assembly With Insulation	1
2.	All	6535A502	Top With Insulation	1
3.	All	6636A144	Side Panel Right	1
4.	All	46515-519	Bulkhead With Insulation	1
5.	All	6636A140	Lower Filler Panel	1
6.	All	6535A545	Blower Door Assembly	1
7.	All	6636A341	Filler Panel	1
ns.	All	6535-115	Tube Bracket	1
8.	All	6535A548	Compressor Door Assembly	1
9.	All	6795-117	High Voltage Isolator	1
10.	All	6535B346	Electric Box Door	1
11.	All	1452A1621	Outdoor Coil	1
12.	All	1452-1821	Indoor Coil	1
13.	All	46515-350	Drain Pan	1
ns.	All	6795-200	Drain Valve	1
14.	All	1450-4079	Compressor	2
15.	All	1450-0531	Overload	2
16.	All	6759-3081	Compressor Foot Pkg. (3/Pkg.)	2
17.	All	46515-533	Reversing Valve Assembly	2
18.	All	1460-1181	Solenoid Coil	2
19.	All	1460A111	Reversing Valve Wire Harness	2
20.	All	1454-356	Reversing Valve Only	2
21.	All	1454-2591	By-Flow Restrictor	2
22.	All	6536A690	O.D. Blower Housing (Includes 23, 24, 25, 26, 27, 28, 29, 30, 31, 32)	1
23.	All	1472-1161	O.D. Blower Wheel	1
24.	All	6795A150	O.D. Blower Venturi	2
25.	All	6795B313	Safety Screen	1
26.	All	6795A3011	O.D. Blower Motor Mount	1
27.	All	6795A3031	Sleeve/Grommet Pkg. (4/Pkg.)	2
28.	All	1468A3029	O.D. Blower Motor	1
29.	All	1499-5631	O.D. Blower Capacitor (12.5 Mfd/370V)	1
30.	All	1499-951	Rubber Capacitor Boot	1
31.	All	6536-514	O.D. Bearing Bracket (Blower)	1
32.	All	6536-3011	Pillow Block Bearing (I.D. or O.D.)	1
33.	All	1472-1151	I.D. Blower Wheel	1
34.	All	6535A287	I.D. Blower Venturi	1
35.	All	6795-302	I.D. Blower Motor Mount	1
36.	All	1468A3219	I.D. Blower Motor (Reversible)	1
37.	All	6535C5901	I.D. Blower Housing Assembly (Includes 27, 33, 34, 35, 36)	1
ns.	All	7330A3231	Coil Sensor	1
38.	All	1460-1131	Compressor Relay	2
39.	All	1499-5681	Compressor Run Capacitor (30 Mfd/370V)	2
40.	All	6795-3151	High Voltage Terminal Board	1



## 46515-811 SERIES

<b>CODE</b>	<b>USED ON MODELS</b>	<b>PART NUMBER</b>	<b>DESCRIPTION</b>	<b>NO. REQ.</b>
41.	All	1216-228	Grounding Lug	1
42/43.	All	8333A9021	Start Device Pkg.	2
44.	All	6535C3209	P.C. Board Kit	1
45.	All	1499-5461	I.D. Blower Capacitor (7.5 Mfd/370V)	1
ns	All	46515-557	High Pressure Switch	1

ns = not shown

### SPECIAL ORDER PARTS:

**NOTE:** All parts with three digit suffix numbers are "Special Order" Parts. These parts are subject to factory availability and require extra time for delivery.