



**INSTALLATION INSTRUCTIONS**

**FOR**

**9233A4551 HEATER ACCESSORY**

**Airxcel, Inc.**  
**RV Products Division**  
**P.O. Box 4020**  
**Wichita, KS 67204**

# TABLE OF CONTENTS

<b>Warnings</b> .....	<b>2</b>
<b>Package Contents</b> .....	<b>2</b>
<b>General Information</b> .....	<b>2</b>
<b>Installation of Heater Assembly</b> .....	<b>3</b>

## WARNINGS

### IMPORTANT NOTICE

These instructions are for the use of qualified individuals specially trained and experienced in installation of this type equipment and related system components.

Installation and service personnel are required by some states to be licensed. **PERSONS NOT QUALIFIED SHALL NOT SERVICE THIS EQUIPMENT.**

### WARNING

Improper installation may damage equipment, can create a hazard and will void the warranty.

The use of components not tested in combination with these units will void the warranty, may make the equipment in violation of state codes, may create a hazard and may ruin the equipment.

### WARNING - SHOCK HAZARD

To prevent the possibility of severe personal injury or equipment damage due to electrical shock, always be sure the electrical power to the appliance is disconnected.

**CAREFULLY FOLLOW ALL INSTRUCTIONS AND WARNINGS IN THIS BOOKLET TO AVOID DAMAGE TO THE EQUIPMENT, PERSONAL INJURY OR FIRE.**

### NOTE

**The words “Shall” or “Must” indicate a requirement which is essential to satisfactory and safe product performance.**

**The words “Should” or “May” indicate a recommendation which is not essential and not required, but which may be useful or helpful.**

## PACKAGE CONTENTS

1) Heater Assembly

1) Selector Switch Knob

## GENERAL INFORMATION

This heater accessory kit is intended to be installed with all heat ready ceiling assemblies to provide 5460 BTUH of electric heat. The ceiling assemblies come with a heat/cool thermostat and a two pin heater wire receptacle to facilitate installation of this accessory.

### NOTE

The optional heater accessory kit is intended to take the chill out of the indoor air when the air is a few degrees too cool for comfort. The heater is an effective “chill chaser”. It is not a substitute for a furnace.

## INSTALLATION OF HEATER ASSEMBLY

1. Remove the control and thermostat knobs, grilles and filters.
2. Position the heater assembly into the return air opening as shown in Figure 1. Insure that the set screw is retracted sufficiently to allow installation over the basepan extrusion (See Figure 2).  
  
The heater bracket **must be installed between the basepan and the plastic drain pan.**
3. Tighten set screw to secure the assembly so as to prevent movement.
4. Remove and discard the two pin safety plug from the ceiling assembly and plug in the heater umbilical. The plugs must “snap-lock” into position. **TIE ALL WIRING TO INSURE NO CONTACT WITH THE HEATER OR ANY SHARP EDGES. KEEP IN MIND THAT HIGH VELOCITY AIR WILL BE ENCOUNTERED IN THIS AREA.**
5. Replace the return air grille/filter and reinstall the temperature control knob. Use the selector switch knob found in this kit and discard the original “cool only” knob.

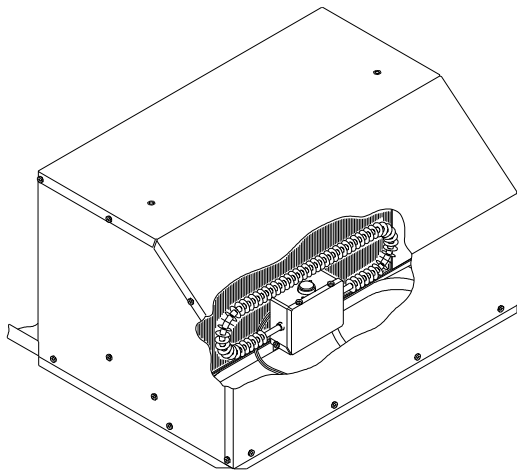


FIGURE 1

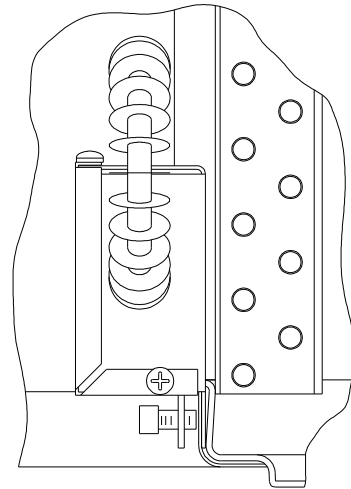


FIGURE 2