



DATA INQUIRY SHEET
8373 MACH 3+
8473 ROUGHNECK
INTERNATIONAL SERIES
WITH R-407C

Capacity (Nominal BTUH)	Cooling – Output BTU	13,500
	Heating – Output BTU (1)	5,600
Electrical Rating	240 VAC, 50 HZ, 1 Phase	
Cooling Full Load AMP's at A.R.I. Standard Condition	Compressor	6.2
	Fan Motor	Low - .8 High – 1.2
	Total	7.0 7.4
Feature Equipment Amps	Heating (1)	9.0
Running Watts: (Cooling) A.R.I. Standard Condition (80 F. DB/67 F. WB Indoor, 115 F. DB Outdoor)	1687	
Running Watts: (Cooling) A.R.I. Maximum Condition (95 F. DB/71 F. WB Indoor, 115 F. DB Outdoor)	2117	
Running Watts: (Heating) (1)	1800	
Compressor Locked Rotor Amps	32.0	
Thermostat Temperature Range	Cooling – 61 F. (±5)	Heating (1) – 85 F. (±5)
Metering Device	Capillary Tube	
Refrigerant Charge (R-407C)	8373	12.75 oz.
	8473	15.00 oz.
Evaporator Air Delivery (CFM)	300 CFM – High Speed	
Generator Size	See “Generators” Below	
Unit Weight (pounds) Heat/Cool	95.0 (2)	
Use time delay fuse or circuit breaker (U.L. H.A.C.R. Type C.S.A.) Rated at 15 amps. Supply Wires 12 AWG Min. (Copper)		

- (1) When equipped with Elect-A-Heat feature.
- (2) Ceiling assemblies may add an additional 3.5 to 12.5 pounds depending on the model number.

CEILING ASSEMBLY: 8370*715 or 9370*715

GENERATORS:

It is not the policy of Airxcel, Inc. to size generators for application in Recreation Vehicles or related structures. However, when sizing generators, the total electrical power consumption in Watts must be determined and taken into consideration, such as:

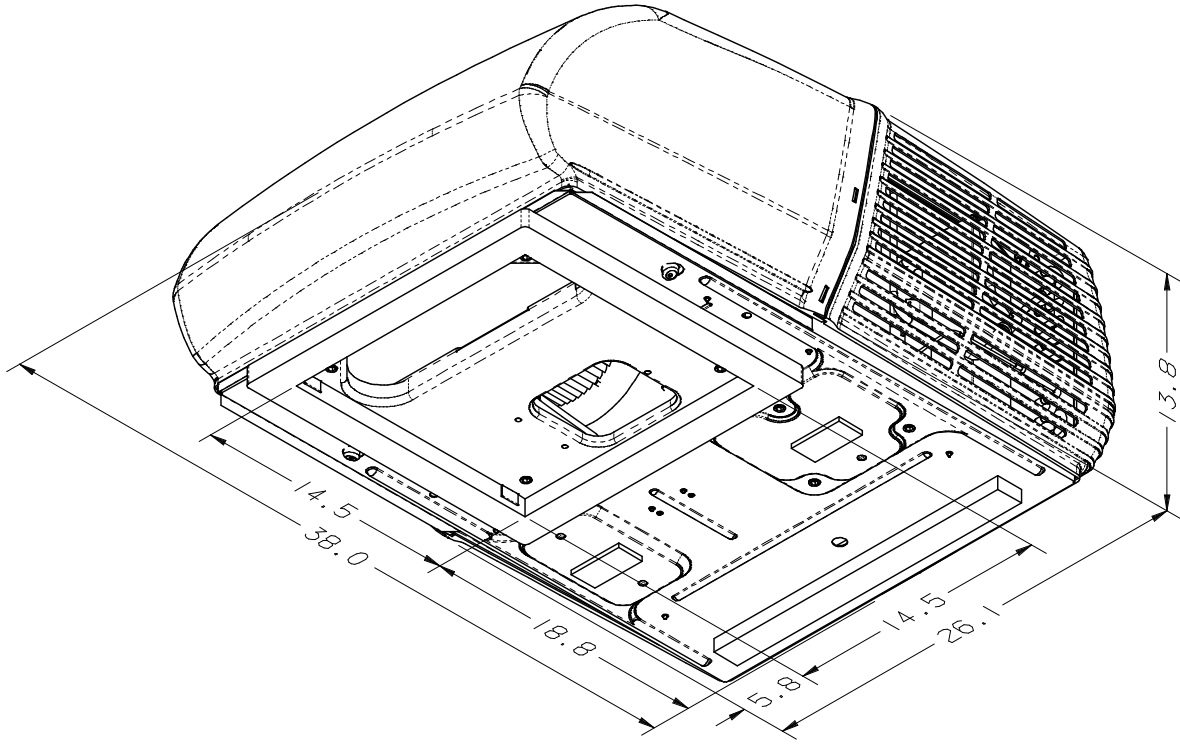
Maximum running watts of the air conditioner at A.R.I. maximum operating conditions (See Specifications).

Power consumption of electronic ovens, toasters, coffee makers, television sets, refrigerators, lights, etc.

Generators do lose capacity under the following conditions: (1) Altitude increases above sea level, (2) Temperature increases above certain outdoor design temperatures and (3) Lack of maintenance.

Airxcel, Inc.
 RV Products Division
 P.O. Box 4020
 Wichita, KS 67204

ROOF TOP UNIT DIMENSIONS



QUICK REFERENCE CHART

DIMENSIONS		
Exterior Shroud	Height	13 1/4"
	Width	29"
	Length	43"
Interior Shroud	Depth	2.1"
	Width	19.9"
	Length	20.1"

CEILING SHROUD DIMENSIONS

