



**INSTALLATION INSTRUCTIONS
FOR
48000 SERIES
HEAT PUMP**

**INSTRUCTIONS D'INSTALLATION
SÉRIE 48000
POMPE THERMIQUE**

TABLE OF CONTENTS

I.	General Information	2
II.	Heat Pump Sizing	3
III.	Selecting an Installation Location	3
IV.	Installing the Roof Top Unit	3
V.	Securing the Heat Pump to the Roof	6
VI.	Electrical Wiring	7
VII.	Installing the Ceiling Assembly (9000 Series)	7
VIII.	Completing the Installation (9000 Series)	10

These instructions are a general guide for installing the 48000 series Coleman-Mach roof top heat pump. For specific air conditioner details, it will be necessary to refer to the printed Customer Envelope Package supplied with each air conditioner.

IMPORTANT NOTICE

These instructions are for the use of qualified individuals specially trained and experienced in installation of this type equipment and related system components.

Installation and service personnel are required by some states to be licensed. **PERSONS NOT QUALIFIED SHALL NOT INSTALL NOR SERVICE THIS EQUIPMENT.**

NOTE

The words “Shall” or “Must” indicate a requirement which is essential to satisfactory and safe product performance.

The words “Should” or “May” indicate a recommendation or advice which is not essential and not required but which may be useful or helpful.

WARNING – SHOCK HAZARD

To prevent the possibility of severe personal injury or equipment damage due to electrical shock, always be sure the electrical power source to the appliance is disconnected.

CAREFULLY FOLLOW ALL INSTRUCTIONS AND WARNINGS IN THIS BOOKLET TO AVOID DAMAGE TO THE EQUIPMENT, PERSONAL INJURY OR FIRE.

WARNING

Improper installation may damage equipment, can create a hazard and will void the warranty.

The use of components not tested in accordance with these units will void the warranty, may make the equipment in violation of state codes, may create a hazard and may ruin the equipment.

1. GENERAL INFORMATION

OEM – Please make sure the Customer Envelope Package accompanies the heat pump.

INSTALLER AND/OR DEALER – Please make sure the Customer Envelope Package is presented to the product consumer. The product consumer should also be afforded the opportunity to purchase the optional three (3) year parts replacement contract available from Airxcel.

For more information about the contract, please review the sample contract located in the Operation and Maintenance Instructions Booklet (Customer Envelope Package). Use the card attached to the Customer Envelope Package to apply for the extended parts contract.

INQUIRIES ABOUT THE HEAT PUMP UNIT – Inquiries to your Airxcel representative or to Airxcel pertaining to product installation should contain both the model and serial numbers of the roof top heat pump. All roof top heat pump units have model and serial number identification in two locations; (1) rating plate sticker may be viewed by looking through the shroud louvers on the compressor side of the roof top heat pump unit. The rating plate sticker can be seen without removing the outer plastic shroud, (2) model/serial number sticker (silver color) is located on the bottom of the basepan of the roof top heat pump. If the heat pump is installed, the sticker may be viewed by lowering the ceiling assembly shroud.

II. HEAT PUMP SIZING

Heat pumps should be rated primarily by their ability to cool. The thermal measurement used for detecting a gain or loss of heat is the British Thermal Unit (BTU). One (1) BTU is the amount of heat required to raise the temperature of one pound of water by one degree Fahrenheit. A heat pump rated at 13,500 BTUH can remove 13,500 BTU's of heat in one hour.

The ability of a heat pump to cool down a vehicle or maintain a consumer desired temperature is dependent upon the heat gain of the vehicle. The physical size, the amount of window area, the quality and amount of insulation, the position exposure to sunlight, the number of people using the vehicle and the outside temperature may increase the heat gain to such an extent that the capacity of the heat pump is exceeded.

As a general rule, air supplied (discharge air) from the heat pump will be 15 to 20 degrees cooler than the air entering (return air) the ceiling assemblies bottom air grilles.

For example, if the air entering the heat pump is 80 degrees F. (return air), the supply air (discharge air) into the vehicle will

be 60 to 65 degrees F. As long as this temperature difference (15 to 20 degrees) is being maintained at the heat pump, the heat pump is operating properly.

Again, give careful consideration to the vehicle heat gain variables. During extreme outdoor temperatures, the heat gain of the vehicle may be reduced by:

- Parking the vehicle in a shaded area
- Keeping windows and doors closed
- Avoiding the use of heat producing appliances
- Using window shades (blinds and/or curtains)

For a more permanent solution to high heat gain situations, additional vehicle insulation, window awnings and/or window glass tinting should be considered.

A heat pump should not be considered as a total replacement for a furnace. At ambient temperatures below freezing, the heat pump will not operate.

III. SELECTING AN INSTALLATION LOCATION

Your Coleman-Mach heat pump has been designed for use primarily in recreational vehicles.

Is the roof of the vehicle capable of supporting both the roof top unit and ceiling assembly without additional support structures? Inspect the interior ceiling mounting area to avoid interference with existing structural members such as: bunks, curtains, tracks or room dividers. The depth of the ceiling assembly shroud is 3". Be sure to check clearance for doors which must be swung open (refrigerator, closets, cabinets).

Most of the time, roof mount heat pumps are installed at existing roof vent locations. If there are no roof vents (existing mounting hole), the following placement locations are recommended.

Motor Homes – a single unit or the forward of two units should be mounted within 9 feet of the drivers compartment.

Travel Trailers or Mini-Homes – a location should be selected that is near the door slightly forward of the vehicle center length.

Vans – location should be in the center of the roof (side to side – front to back).

Truck with Camper – location should be between 4 or 5 feet from the rear of the camper to achieve maximum cooling effect.

IV. INSTALLING THE ROOF TOP UNIT

DANGER SHOCK HAZARD

DISCONNECT ALL POWER TO THE VEHICLE BEFORE PERFORMING ANY CUTTING TO THE VEHICLE. CONTACT WITH HIGH VOLTAGE CAN RESULT IN EQUIPMENT DAMAGE, PERSONAL INJURY OR DEATH.

IMPORTANT

TO PREVENT DAMAGE TO THE WIRING AND BATTERY, DISCONNECT THE BATTERY CABLE FROM THE POSITIVE BATTERY TERMINAL BEFORE PERFORMING ANY CUTTING TO THE VEHICLE.

If the heat pump is being installed on a low friction roof surface such as aluminum, steel or gelcoat fiberglass, it is advisable to order a spring pad kit, part number 8333-3871 to add "spring pads" to maintain bolt tension and retard lateral motion of the heat pump which could shear the mounting bolts.

If the heat pump is being installed subject to heavy lateral loads, it is advisable to order a “Roughneck” gasket/bolt package, part number 48207-3301 to maintain bolt tension, prevent lateral movement of the heat pump and guard against bolt shear.

Once the location for your heat pump has been determined (See Section III), a reinforced and framed roof hole opening must be provided (may use existing vent hole). Before cutting into the vehicle roof, verify that the cutting action will clear all structural members and crossbeams. Additionally, the location of any inner roof plumbing and electrical supplies must be considered.

- A. If a roof vent is already present in the desired mounting location for the heat pump, the following steps must be taken:
1. Remove all screws which secure the roof vent to the vehicle. Remove the vent and any additional trim materials. Carefully remove all chalking from around the roof vent opening to obtain clean exterior roof surface.
 2. It may be necessary to seal some of the old roof vent mounting screw holes which may fall outside of the heat pump basepan gasket.
 3. Examine the roof opening. If the opening is smaller than 14” x 14”, the opening must be Enlarged (See Figure 1).

- B. If a roof vent opening is not used, a new opening (See Figure 1) will have to be cut into the vehicle roof. A matching opening will also have to be cut into the interior vehicle ceiling. Be careful when cutting the ceiling opening. If the ceiling opening is carpeted, snagging could occur. After the opening in the roof and interior ceiling are the correct size, a framed support structure must be provided between exterior roof top and interior ceiling. The reinforced framed structure must provide the following guidelines:
1. Capable of supporting both the weight of the roof top heat pump and the interior ceiling assembly.
 2. Capable of holding or supporting the roof outer surface and interior ceiling apart, so that when the roof top heat pump and ceiling assembly are bolted together, no collapsing occurs.

The frame must provide an opening to allow passage for the power supply wiring. Route the supply wiring through the frame at the same time the support frame is being installed.

- C. This heat pump is to be installed in accordance with NFPA Standard 501C.
- D. The roof top heat pump must be mounted as near level from front to rear and side to side as is possible when the vehicle is parked on a level plane. Figures 2 and 3 show maximum allowable degree deviations (mounting degrees from total surface flat plane).

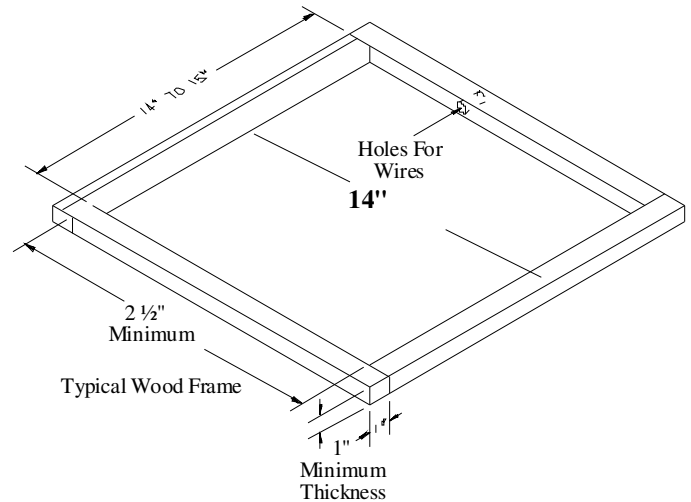
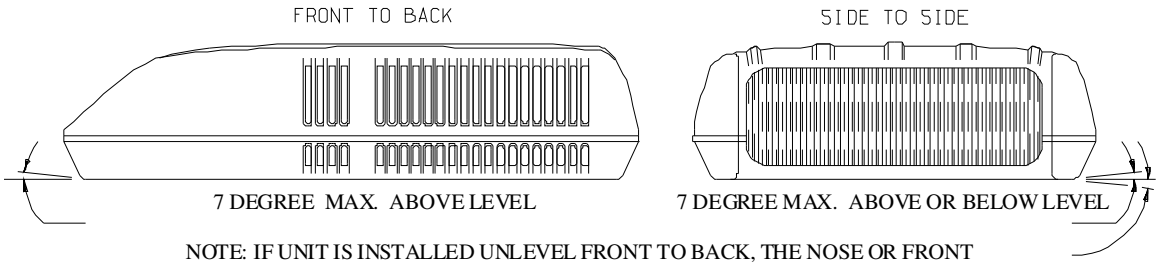


FIGURE 1

If the roof of the vehicle is sloped (not level) such that the roof top heat pump cannot be mounted within the maximum allowable degree deviations, an exterior leveling shim will need to be added to make the roof top heat pump level. A typical leveling shim is shown in Figure 4.

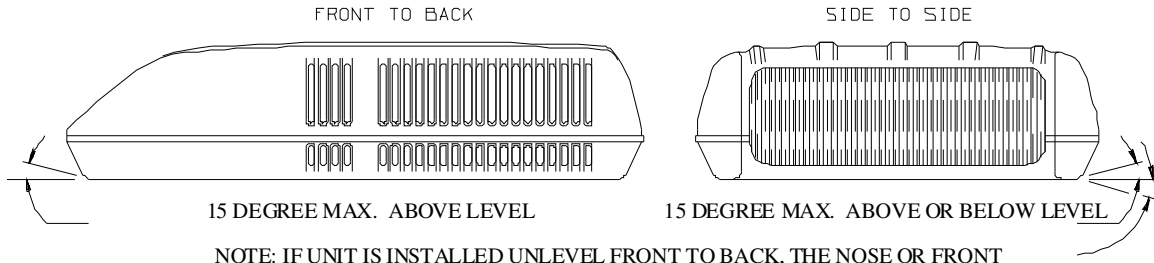
- E. After the mounting hole area is properly prepared, remove the carton and shipping pads from the roof top heat pump. **Carefully** lift the unit on top of the vehicle. Do not use the outer plastic shroud for lifting. Place the roof top heat pump over the prepared mounting hole. The pointed end (nose) of the shroud must face towards the front of the vehicle. Pull the electrical conduit down from the roof heat pump through the mounting opening and let hang.



NOTE: IF UNIT IS INSTALLED UNLEVEL FRONT TO BACK, THE NOSE OR FRONT OF THE UNIT MUST BE UP. DO NOT INSTALL NOSE DOWN.

ALLOWABLE OFFSET FOR ALL HEAT PUMPS WITH RECIPROCATING COMPRESSORS.

FIGURE 2



NOTE: IF UNIT IS INSTALLED UNLEVEL FRONT TO BACK, THE NOSE OR FRONT OF THE UNIT MUST BE UP. DO NOT INSTALL NOSE DOWN.

ALLOWABLE OFFSET FOR ALL HEAT PUMPS WITH ROTARY COMPRESSORS.

FIGURE 3

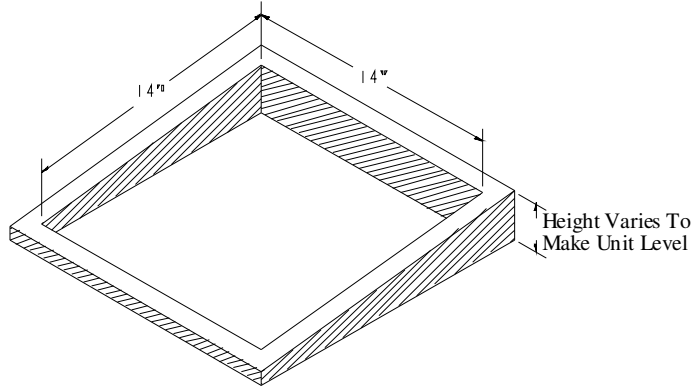


FIGURE 4

V. SECURING THE HEAT PUMP TO THE ROOF

A mounting frame is supplied with the ceiling assembly. Follow the steps below to secure the heat pump to the roof. Refer to Figure 5.

- A. Locate the heat pump mount gasket over the 14" to 15" square opening in the roof.
- B. Install the ceiling assembly mount frame using the four bolts found with the ceiling assembly.

- C. Proper tension has been achieved for each bolt when any portion of each gasket indicating tab has been pulled down even with the roof. See Figure 5. The upper unit has now been properly installed with optimum gasket compression.

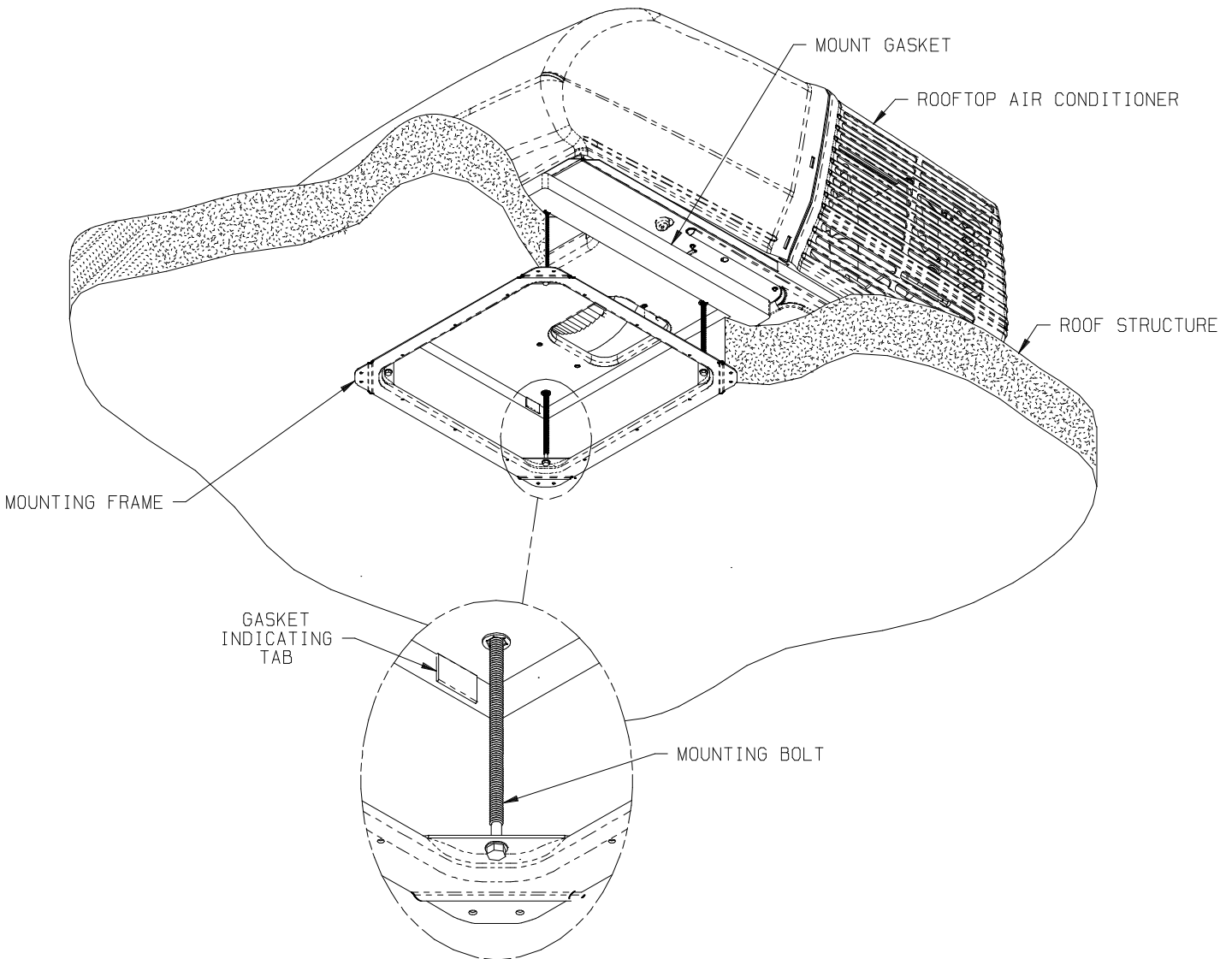


FIGURE 5

VI. ELECTRICAL WIRING

ROUTING 115 VAC WIRING

Following Airxcel's high voltage wiring specifications and all local and national electrical codes, route the roof top unit 115 VAC supply wiring from its power source to the wirebox.

High Voltage Wiring Specifications based on Minimum Overcurrent Protection Device Amperage – (see upper unit nameplate)

1. U.L. requires copper conductors only with minimum #12 AWG when using the minimum recommended overcurrent protection device. Higher rated devices or longer wiring runs will require #10 AWG or greater copper conductors.
2. To prevent voltage drops greater than 10% during starting loads, adhere to the following guideline:

For lengths greater than 50', use #10 AWG or larger copper conductors. Match to the overcurrent protection device provided.
Circuit Protection – Refer to upper unit nameplate.

High Voltage Wiring Specifications based on Overcurrent Protection Device rated higher than the minimum required (see upper unit nameplate)

Follow all local and NEC (National Electrical Code) for proper sizing of wire AWG based on Overcurrent Protection Device selected and the length of the wiring run to the air conditioner.

DANGER – SHOCK HAZARD

MAKE SURE THAT ALL POWER SUPPLY TO THE UNIT IS DISCONNECTED BEFORE PERFORMING ANY WORK ON THE UNIT TO AVOID THE POSSIBILITY OF SHOCK INJURY OR DAMAGE TO THE EQUIPMENT.

DANGER

WHEN USING NON-METALLIC SHEATH CABLES (ROMEX, ETC.), STRIP SHEATH BACK TO EXPOSE 4-6 INCHES OF THE SUPPLY LEADS.

STRIP THE INDIVIDUAL WIRE LEAD ENDS FOR WIRE CONNECTION (ABOUT 3/4" BARE WIRE). INSERT THE SUPPLY WIRES INTO THE ELECTRICAL CONNECTOR CLAMP. SHEATH MUST PROTRUDE PAST THE CLAMP BUSHING INSIDE THE BOX AS ILLUSTRATED. MAKE SURE SHEATH CABLE IS CENTERED IN CLAMP BEFORE TIGHTENING UP ON IT. DO NOT OVERTIGHTEN!!

THIS COULD RESULT IN PINCHING THROUGH THE PLASTIC WIRE INSULATION AND CAUSE SHORTING OR "HOT" WIRES TO GROUND (SHOCK HAZARD). THE CLAMP IS INTENDED FOR STRAIN RELIEF OF THE WIRES. SLIGHT PRESSURE IS USUALLY SUFFICIENT TO ACCOMPLISH THIS.

IF OTHER THAN NON-METALLIC CABLES ARE USED FOR SUPPLY CONDUCTORS, APPROPRIATE STRAIN RELIEF CONNECTORS OR CLAMPS SHOULD BE USED.

IN NO CASE SHOULD CLAMPING OR PINCHING ACTION BE APPLIED TO THE INDIVIDUAL SUPPLY LEADS (NEUTRAL AND "HOT" WIRES).

DANGER SHOCK HAZARD

TO PREVENT THE POSSIBILITY OF SHOCK INJURY, THE WHITE WIRE MUST BE CONNECTED TO NEUTRAL IN THE SERVICE BOX ENTRANCE AND THE MECHANICAL GROUND MUST BE CONNECTED TO A GROUNDING LUG EITHER IN THE SERVICE BOX OR THE MOTOR GENERATOR COMPARTMENT.

VII. INSTALLING THE CEILING ASSEMBLY (9000 SERIES)

NOTE

The Electric Heating Element in this ceiling assembly is intended to take the chill out of the indoor air when the outdoor temperature is too cold for heat pump compressor operation. **It is not a substitute for a furnace.**

Make sure that you have properly matched the roof top heat pump and interior ceiling assembly. The following step by step instructions must be performed in the following sequence to insure proper installation.

- A. Carefully uncarton the ceiling assembly. Controls are factory installed in the ceiling assembly (except ceiling assemblies for applications with remote control box/thermostat).
- B. Remove the grille and filters from the ceiling assembly.
- C. Step "C" applies only if optional 9233*4551 Resistance Heat Kit is installed at this time. If installed, position the heater assembly in the heat pump return air opening as shown in Figure 10. The heater bracket must be installed over the metal basepan extrusion and positioned between the basepan and the plastic drain pan (See Figure 11). Tighten set screw to secure the assembly so as to prevent movement.

TIE ALL WIRING TO INSURE NO CONTACT WITH THE HEATER OR ANY SHARP EDGES. KEEP IN MIND THAT HIGH VELOCITY AIR WILL BE ENCOUNTERED IN THIS AREA.

- D. Fasten the duct collar to the basepan of the heat pump with three (3) screws (See Figure 14).
- E. Plug the roof top heat pump electrical conduit into the 9 position receptacle located in the thermostat side of the ceiling assembly. Plug the heater cord into the 2 position receptacle (See Figure 12).
- F. Insert the supply wiring through the cable clamp and into the field wiring box so that 4 – 6" of supply conductor is inside the box. Secure the cable clamp over the supply wire sheath so that no movement is possible (See Figure 13).
- G. Connect the supply power conductors to the black and white pigtail wires and the supply ground wire to the green pigtail wire found in the field wiring box using the 3 provided wire nuts. **IMPORTANT** – connect the black supply to the black pigtail and the white supply to the white pigtail. Using a U.L. approved electrical tape, secure the wire nuts to wires in a workmanlike manner (See Figure 13).
- H. Place the metal control box shield over the thermostat, switch and field wiring boxes. Make certain that all wires are pushed into the control boxes or laying in the wireway between the thermostat and switch boxes and will not be pinched by the control box shield. Control box shield is properly installed when the two holes in shield are aligned with the two screw holes in the ceiling assembly chute (See Figure 12).
- I. Raise the ceiling assembly and secure to the mounting frame with 4 provided shoulder screw/spring assemblies. The front two screws should pass through the clearance holes in the metal control box shield (See Figure 14).

- J. The ceiling assembly shroud is curved to contour to a crowned ceiling. If installation is to a flat ceiling and gaps are present on the sides of the shroud, insert the four optional 3/4 inch screws (provided) through the mounting posts and secure them to the mounting frame above (See Figure 12, 13 & 14 for screw locations).
- K. Pull the fabric duct material through ceiling assembly discharge opening. Peel the release liner from the adhesive strip around the discharge opening. Press the fabric duct material firmly in place around opening. Cut off excess fabric on inside of ceiling assembly chute with a box knife taking care not to tear the fabric beyond the adhesive strip.

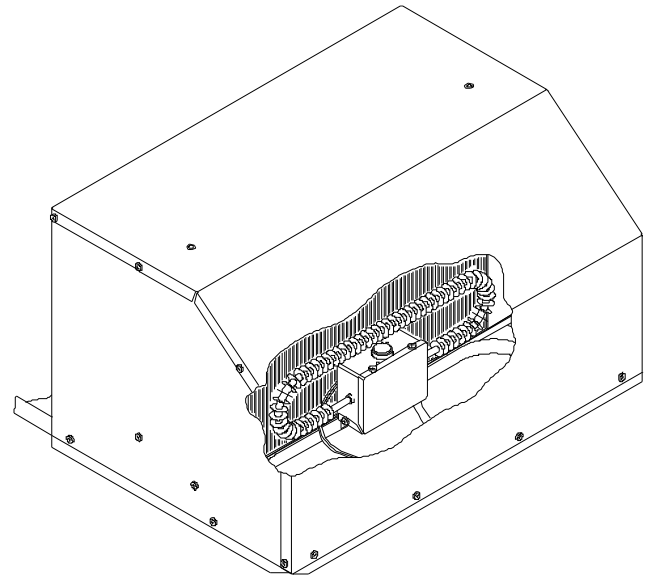


FIGURE 10

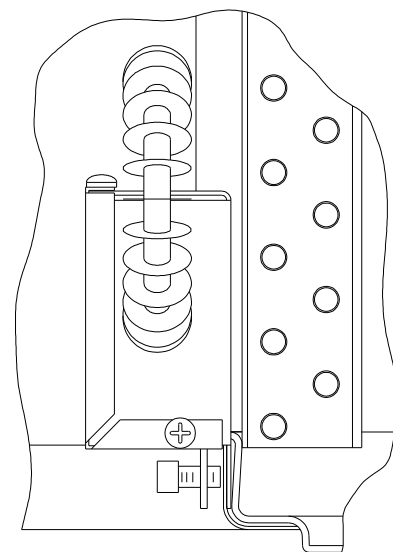


FIGURE 11

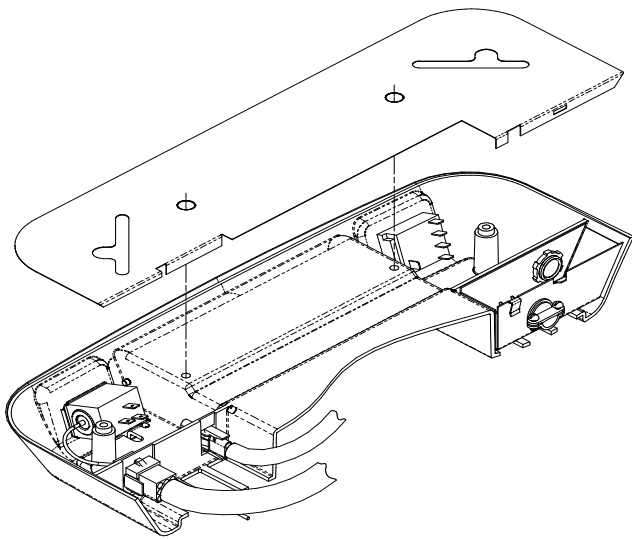


FIGURE 12

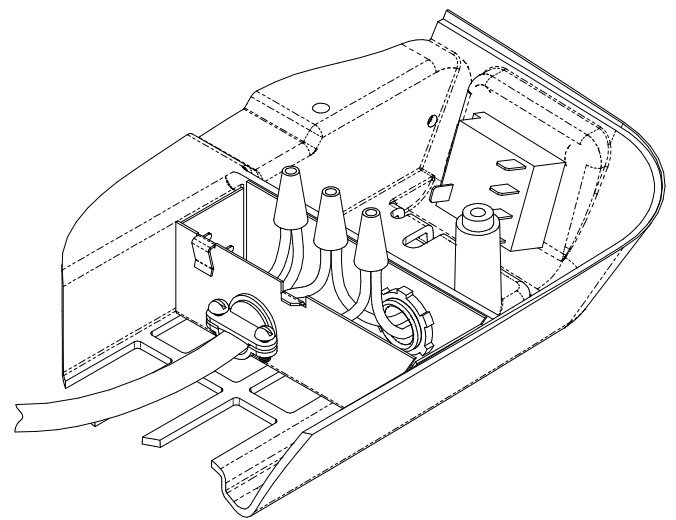


FIGURE 13

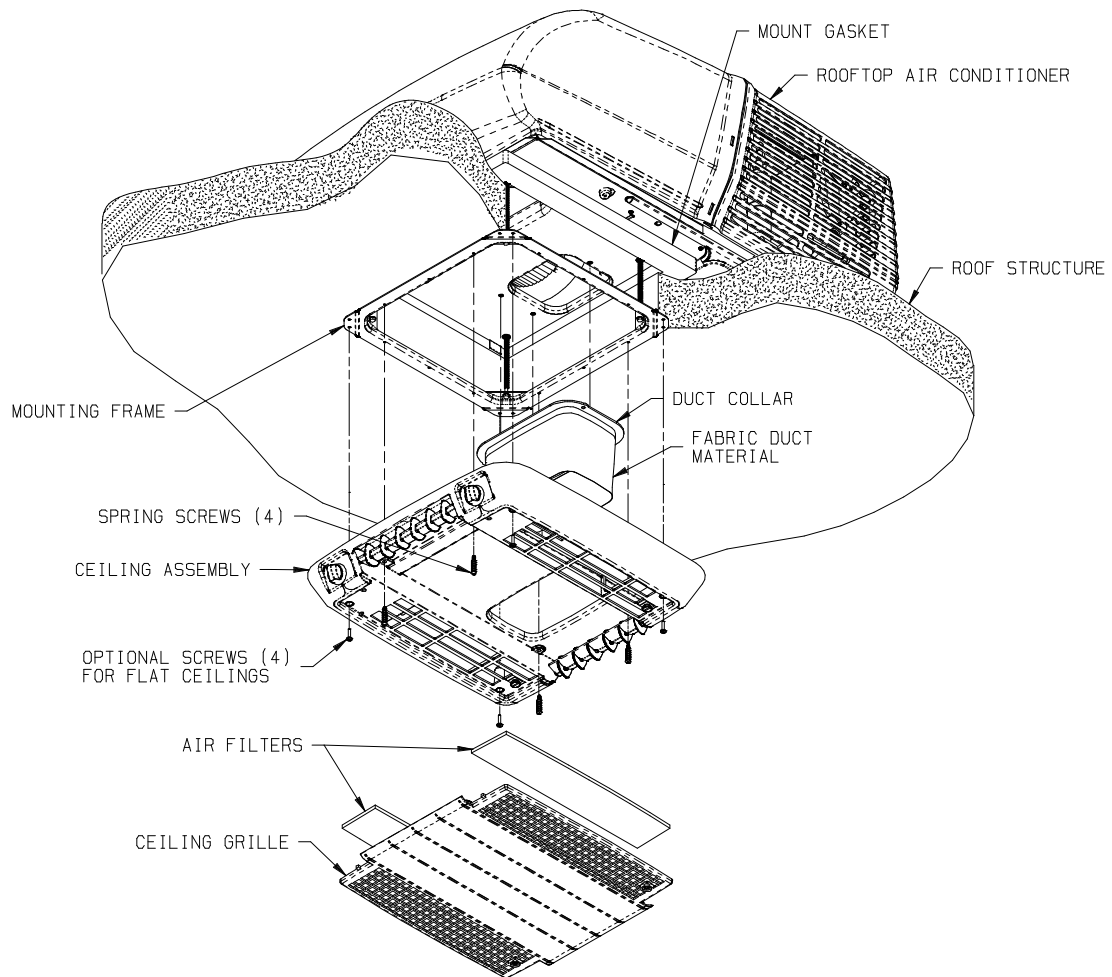


FIGURE 14

VIII. COMPLETING THE INSTALLATION (9000 SERIES)

- A. Make sure the non-allergenic filters are properly positioned in the ceiling grille.
- B. Install the ceiling grille by positioning on the bottom of the shroud and engaging the two 1/4 turn fasteners.
- C. Turn the selector switch to OFF position.
- D. Turn ON the power supply to the roof top heat pump.
- E. System Checkout – Airxcel manufactures a wide range of roof top heat pumps which incorporate different product operation features. To properly evaluate the performance of a newly installed heat pump, it is necessary to review the specific unit operation characteristics (features) described in product operation and maintenance instructions (Customer Envelope Package).

TABLE DES MATIÈRES

I.	Renseignements généraux	11
II.	Configuration de la pompe thermique	11
III.	Choix d'un emplacement pour l'installation	11
IV.	Installation de l'appareil sur le toit	12
V.	Fixer la pompe thermique au toit	13
VI.	Câblage électrique	13
VII.	Installation du montage de plafond (série 9000)	14
VIII.	Fin de l'installation (série 9000)	15

Ces instructions sont un guide général d'installation des pompes thermiques de toit de la série 48000 de Coleman-Mach. Pour des détails précis sur les pompes thermiques, vous devez vous reporter à la pochette de documentation fournie avec chaque pompe thermique.

NOTICE IMPORTANTE

Ces instructions doivent être utilisées par des personnes qualifiées spécialement formées et connaissant les procédures d'installation de ce type d'équipement et des composants du système connexe.

Certains États exigent que le personnel responsable de l'installation et de l'entretien ou de la réparation soit autorisé. **LES PERSONNES NON QUALIFIÉES NE DOIVENT PAS INSTALLER NI FAIRE L'ENTRETIEN OU LA RÉPARATION DE CET ÉQUIPEMENT.**

REMARQUE

Le terme « doit » ou « doivent » indique une exigence essentielle pour une performance satisfaisante et sans danger du produit.

Le terme « devrait » ou « devraient » indique une recommandation ou un conseil qui n'est pas essentiel ni requis, mais qui pourrait être utile.

AVERTISSEMENT – DANGER DE CHOC ÉLECTRIQUE

Pour éviter toute possibilité de blessures graves ou de dommages à l'équipement suite à un choc électrique, assurez-vous de toujours mettre l'appareil hors tension.

SUIVEZ ATTENTIVEMENT TOUTES LES INSTRUCTIONS ET TOUS LES AVERTISSEMENTS DANS CE LIVRET POUR ÉVITER D'ENDOMMAGER L'ÉQUIPEMENT, DE PROVOQUER DES BLESSURES OU DES INCENDIES.

AVERTISSEMENT

Une mauvaise installation peut endommager l'équipement, créer des dangers et annuler la garantie.

Le fait d'utiliser des composants non testés conformément à ces appareils annule la garantie, peut rendre l'équipement non conforme aux codes d'état, créer un danger et détruire l'équipement.

I. RENSEIGNEMENTS GÉNÉRAUX

OEM (Fabricant d'équipement d'origine) – Veuillez vous assurer que la pochette de documentation accompagne la pompe thermique.

INSTALLATEUR ET/OU CONCESSIONNAIRE – Veuillez vous assurer que le client reçoive la pochette de documentation. Il devrait aussi avoir la possibilité d'acheter le contrat de trios (3) ans de pièces de rechange de Airxcel.

Pour plus d'information au sujet du contrat, veuillez consulter le contrat type qui se trouve dans le livret du mode d'emploi et d'entretien (pochette de documentation). Utilisez la carte fixée à la pochette de documentation pour faire la demande de contrat de pièces prolongé.

QUESTIONS SUR LA POMPE THERMIQUE – Pour toutes questions au sujet de l'installation du produit adressées à votre représentant Airxcel ou à Airxcel, veuillez indiquer les numéros de modèle et de série de la pompe thermique de toit. Toutes ces pompes thermiques sont identifiées par des numéros de série et de modèle qui se trouvent à deux endroits: (1) étiquette signalétique que vous pouvez voir dans les persiennes de carénage du côté compresseur de la pompe thermique de toit. Vous pouvez la voir sans retirer le carénage extérieur de plastique, (2) l'étiquette au numéro de série/modèle (de couleur argent) se trouve au bas du plateau de la pompe thermique de toit. Si la pompe thermique est installée, vous pouvez voir l'étiquette en abaissant le carénage du plafond.

II. CONFIGURATION DE LA POMPE THERMIQUE

Les capacités nominales des pompes thermiques devraient être établies selon leur capacité de refroidir. La mesure thermique utilisée pour détecter un gain ou une perte de chaleur est la British Thermal Unit (BTU). Un (1) BTU est la quantité de chaleur requise pour augmenter la température d'une livre d'eau d'un degré Fahrenheit. Une pompe thermique d'une capacité nominale de 13 500 BTUH peut retirer 13 500 BTU de chaleur en une heure.

La capacité de refroidissement d'un véhicule ou de maintien de la température choisie par le client grâce à la pompe thermique dépend du gain de chaleur du véhicule. La taille physique, la superficie des fenêtres, la qualité et la quantité d'isolation, l'exposition au soleil, le nombre de personnes utilisant le véhicule ainsi que la température extérieure peuvent augmenter le gain de chaleur à tel point que la capacité de la pompe thermique est dépassée.

En règle générale, l'air fourni (air de décharge) par la pompe thermique sera de 15 à 20 degrés Fahrenheit (9 à 13 degrés Celsius) plus frais que l'air entre (air recyclé) par les grilles à air inférieures de l'assemblage du plafond.

Par exemple, si l'air entre dans la pompe thermique (l'air recyclé) est de 80 degrés Fahrenheit (27 degrés Celsius) l'air d'alimentation (air de décharge) dans le véhicule sera de 60 à 65 degrés Fahrenheit (15 à 18 degrés Celsius). Aussi

longtemps que cette différence de température (15 à 20 degrés) est maintenue à la pompe thermique, la pompe thermique fonctionne correctement.

Attention à nouveau aux gains variables de chaleur du véhicule. Lorsque les températures extérieures sont extrêmes, le gain de chaleur du véhicule peut être réduit en:

- Stationnant la voiture à l'ombre
- Gardant les fenêtres et les portes fermées
- Évitant d'utiliser des appareils produisant de la chaleur
- Utilisant des toiles pour les fenêtres (stores et/ou rideaux)

Pour une solution plus permanente des situations de gain prononcé de chaleur, il faudrait considérer de l'isolant de véhicule, des auvents de fenêtres et/ou le teintage du verre des fenêtres.

Une pompe thermique ne devrait pas être considérée comme remplacement complet d'un appareil de chauffage. Lorsque la température ambiante est sous le point de congélation, la pompe thermique ne fonctionnera pas.

III. CHOIX D'UN EMPLACEMENT POUR L'INSTALLATION

Votre pompe thermique Coleman-Mach a été conçue pour être utilisée avec les véhicules récréatifs.

Le toit du véhicule peut-il supporter à la fois l'appareil sur le toit et le montage de plafond sans structures de support additionnelles? Vérifiez le secteur du montage de plafond à l'intérieur du véhicule pour éviter toute interférence avec les

structures actuelles telles que couchettes, rideaux, rails ou séparateurs de pièces. La profondeur du carénage de plafond est de 3 po (7,62 cm). Assurez-vous de vérifier le dégagement des portes que vous devez ouvrir (réfrigérateur, garde-robe, armoires).

La plupart du temps, les pompes thermiques de toit sont installées sur les événements de toit actuels. S'il n'y a pas d'événements de toit (ouvertures d'installation déjà en place), voici les emplacements recommandés:

Autocaravanes – un seul appareil ou l'avant de deux appareils devrait être monté jusqu'à 9 pieds (2,74 mètres) du poste de conduite.

Caravanes classiques ou mini-maisons – il faudrait choisir un emplacement près de la portière, un peu vers l'avant du centre de la longueur du véhicule.

Fourgonnettes – l'emplacement devrait être au centre du toit (d'un côté à l'autre – d'avant en arrière).

Camion avec caisse de camping – l'emplacement devrait être entre 4 et 5 pieds (1,2 et 1,5 mètres) de l'arrière de la caisse de camping pour obtenir un refroidissement maximum.

IV. INSTALLATION DE L'APPAREIL SUR LE TOIT

DANGER CHOC ÉLECTRIQUE

COUPEZ TOUT COURANT AU VÉHICULE AVANT TOUT TRAVAIL DE COUPE AU VÉHICULE. LE CONTACT AVEC UNE HAUTE TENSION PEUT ENDOMMAGER L'ÉQUIPEMENT, PROVOQUER DES BLESSURES ET MÊME LA MORT.

IMPORTANT

POUR ÉVITER TOUT DOMMAGE AU CÂBLAGE ET À LA BATTERIE, DÉBRANCHEZ LE CÂBLE DE LA BATTERIE DE LA BORNE POSITIVE DE LA BATTERIE AVANT D'EFFECTUER TOUT TRAVAIL DE COUPE AU VÉHICULE.

Si la pompe à chaleur est installée sur une surface de toiture à faible friction tels que la fibre de verre en aluminium, en acier ou en gelcoat, il est conseillé de commander un kit de ressort de plaque, 8333-3871 référence pour ajouter "patins de fixation" pour maintenir la tension du boulon et de retarder latérale mouvement de la pompe à chaleur qui pourrait cisaillement des boulons de fixation.

Si la pompe à chaleur est installée soumis à de fortes charges latérales, il est conseillé de commander un "Roughneck" joint / paquet boulon, 48207-3301 numéro de pièce pour maintenir la tension du boulon, empêcher le mouvement latéral de la pompe à chaleur et de protection contre le boulon de cisaillement.

Après avoir déterminé l'emplacement de votre pompe thermique (voir Section III), vous devez fournir une ouverture sur le toit renforcée et encadrée (vous pouvez utiliser l'ouverture d'événement déjà en place). Avant de couper le toit du véhicule, vérifiez que l'appareil dégagera tous les éléments de structure et les entretoises. Vous devez aussi considérer l'emplacement de toute alimentation électrique et plomberie à l'intérieur du toit.

A. S'il y a déjà un événement de toit à l'endroit choisi pour l'installation de la pompe thermique, voici les étapes à suivre:

1. Retirez toutes les vis qui fixent l'événement au toit du véhicule. Retirez ensuite l'événement et toute garniture supplémentaire. Retirez avec soin tout calfeutrage autour de l'ouverture de l'événement pour avoir une surface extérieure propre.
2. Vous devrez peut-être sceller certains des trous de vis d'installation de l'ancien événement sur le toit qui pourraient être à l'extérieur du joint d'étanchéité du plateau de la pompe thermique.
3. Examinez l'ouverture sur le toit. Si elle est moins que 14 x 14 po (35,56 x 35,56 cm) vous devez l'agrandir.

B. Si vous n'utilisez pas l'ouverture d'événement du toit, il faudra couper une nouvelle ouverture dans le toit du véhicule. Il faudra aussi couper une ouverture semblable à l'intérieur du plafond du véhicule. Attention en coupant l'ouverture du plafond. Si cette ouverture est recouverte de tapis, il pourrait y avoir des accrocs. Après avoir une ouverture à la bonne taille pour le toit et le plafond intérieur, prévoyez une structure de support encadrée entre le dessus du toit extérieur et le plafond intérieur. La structure encadrée renforcée doit respecter les directives suivantes:

1. Elle doit pouvoir supporter à la fois le poids de la pompe thermique de toit et le montage de plafond intérieur.
2. Elle doit pouvoir retenir ou supporter la surface extérieure du toit et le plafond intérieur avec une séparation pour qu'après avoir boulonné ensemble de la pompe thermique et le montage de plafond, il n'y ait aucun effondrement.

Le cadre doit fournir une ouverture pour acheminer le câblage d'alimentation. Faites passer le câblage d'alimentation par le cadre lors de l'installation du cadre de support.

- C. La pompe thermique doit être installée conformément à la norme 501C de la NFPA (National Fire Protection Association).
- D. La pompe thermique de toit doit être montée aussi à niveau que possible, d'avant en arrière et d'un côté à l'autre, lorsque le véhicule est stationné sur une surface plane. [Les figures 2 et 3 illustrent les déviations maximales permises (degrés de montage de la surface plane de la surface totale).]

Si le toit du véhicule est en pente (pas à niveau) ne permettant pas d'installer la pompe thermique de toit avec les déviations maximales permises, vous devrez ajouter une cale de mise à niveau pour que la pompe thermique de toit soit à niveau. [La figure 4 présente une cale de mise à niveau typique.]

- E. Après avoir préparé correctement la région de l'ouverture d'installation, retirez le carton et les blocs d'expédition de la pompe thermique de toit. Soulevez **délicatement** l'appareil sur le dessus du véhicule. N'utilisez pas le carénage extérieur de plastique pour soulever. Placez l'appareil sur l'ouverture d'installation. L'extrémité pointue (nez) du carénage doit faire face à l'avant du véhicule. Tirez la conduite électrique vers le bas de la pompe thermique de toit par l'ouverture d'installation et laissez-la pendre.

V. FIXER LA POMPE THERMIQUE AU TOIT

Un cadre d'installation est fourni avec le montage de plafond. Suivez les étapes ci-après pour fixer la pompe thermique au toit.

- A. Placez le joint plat de la pompe thermique sur l'ouverture carrée de 14 ou 15 po (35,56 ou 38,1 cm) du toit.

- B. Installez le cadre d'installation du montage de plafond en utilisant les quatre boulons qui se trouvent avec le montage de plafond.
- C. Les boulons sont bien installés lorsque chaque patte indicatrice du joint se trouve à niveau avec le toit. L'appareil supérieur est maintenant installé correctement avec une compression de joint optimale.

VI. CÂBLAGE ÉLECTRIQUE

ACHEMINEMENT DU CÂBLAGE DE 115 V.C.A.

Acheminez le câblage d'alimentation de 115 V.c.a. de sa source de courant à la boîte de connexion en respectant tous les codes d'électricité nationaux et locaux ainsi que les spécifications de câblage haute tension de Airxcel.

Spécifications de câblage haute tension pour un dispositif de protection contre les surtensions possédant l'intensité minimale requise – (voir la plaque d'identification sur la partie supérieure de l'appareil)

1. L'homologation U.L. exige l'utilisation de conducteurs en cuivre d'un diamètre de 12 AWG (2,05 mm) lors de l'emploi d'un dispositif de protection recommandé contre les surtensions. Pour les appareils plus puissants ou munis de câbles plus longs, utilisez des conducteurs en cuivre d'au moins 10 AWG (2,59 mm) de diamètre.
2. Pour éviter les chutes de tension dépassant 10 % durant les charges de démarrage, respectez les consignes suivantes :

Pour les longueurs de plus de 50 pieds (15,24 m), utilisez des conducteurs en cuivre d'au moins 10 AWG (2,59 mm) de diamètre. Couplez-les au dispositif de protection contre les surtensions livré avec l'appareil.

Protection du circuit – voir la plaque d'identification sur la partie supérieure de l'appareil.

Spécifications de câblage haute tension pour un dispositif de protection contre les surtensions dépassant l'intensité minimale requise – (voir la plaque d'identification sur la partie supérieure de l'appareil)

Le diamètre de câblage du dispositif de protection contre les surtensions et la longueur des câbles du climatiseur doivent être conformes aux réglementations locales et aux normes NEC (National Electrical Code).

DANGER – RISQUE DE CHOC

ASSUREZ-VOUS DE COUPER LE COURANT À L'APPAREIL AVANT D'EFFECTUER TOUT TRAVAIL SUR LA POMPE THERMIQUE POUR ÉVITER LA POSSIBILITÉ DE CHOCS OU DE DOMMAGES À L'ÉQUIPEMENT.

DANGER

EN UTILISANT DES CÂBLES À GAINÉ NON-MÉTALLIQUE (ROMEX, ETC.), DÉNUDEZ LA GAINÉ POUR EXPOSER DE 4 À 6 POUÇES (10,16 À 15,24 CM) DES FILS D'ALIMENTATION. DÉNUDEZ LES EXTRÉMITÉS DES FILS CONDUCTEURS INDIVIDUELS POUR LE RACCORD DE FILS (ENVIRON 3/4 PO [1,91 CM] DE FIL NU). INSÉREZ LES FILS D'ALIMENTATION DANS LA PINCE DU CONNECTEUR ÉLECTRIQUE. LA GAINÉ DOIT RESSORTIR DE LA GARNITURE DE LA PINCE À L'INTÉRIEUR DE LA BOÎTE TEL QU'ILLUSTRÉ. ASSUREZ-VOUS QUE LE CÂBLE GAINÉ EST CENTRÉ DANS LA PINCE AVANT DE RESSERRER. NE RESSERREZ PAS TROP!! CECI POURRAIT MENER À DES PINCEMENTS DANS L'ISOLANT PLASTIQUE DU FIL ET PROVOQUER DES COURTS-CIRCUITS OU DES FILS « CHARGÉS » À LA MASSE. (RISQUE DE CHOC). LA PINCE EST EN PLACE COMME RÉDUCTEUR DE TENSION DES FILS. POUR CE FAIRE, IL SUFFIT NORMALEMENT D'UNE LÉGÈRE PRESSION.

SI VOUS UTILISEZ DES CÂBLES AUTRES QUE LES CÂBLES NON-MÉTALLIQUES COMME CONDUCTEURS D'ALIMENTATION, VOUS DEVEZ UTILISER LES PINCES OU CONNECTEURS DE RÉDUCTION DE TENSION APPROPRIÉS.

VOUS NE DEVEZ, EN AUCUN CAS, PINCER OU RESSERRER LES FILS D'ALIMENTATION INDIVIDUELS (FILS « CHARGÉS » ET NEUTRES).

DANGER

DANGER DE CHOC ÉLECTRIQUE

POUR ÉVITER LA POSSIBILITÉ DE BLESSURES SUITE À DES CHOC ÉLECTRIQUES, LE FIL BLANC DOIT ÊTRE CONNECTÉ AU NEUTRE À

L'ENTRÉE DU COFFRET DE BRANCHEMENT ET LA MASSE MÉCANIQUE CONNECTÉE À UNE COSSE DE MASSE SOIT DANS LE COFFRET DE BRANCHEMENT OU DANS LE COMPARTIMENT DU MOTEUR-GÉNÉRATEUR.

VII. INSTALLATION DU MONTAGE DE PLAFOND (SÉRIE 9000)

REMARQUE

Le radiateur électrique de ce montage de plafond a pour but d'enlever l'air froid intérieur lorsque la température extérieure est trop froide pour faire fonctionner le compresseur de la pompe à chaleur. **Il ne peut cependant pas remplacer un appareil de chauffage.**

Assurez-vous d'avoir bien jumelé la pompe thermique de toit et le montage de plafond intérieur. Voici les instructions, étape par étape, à suivre pour assurer une bonne installation en séquence de l'appareil.

- A. Déballer avec soin le montage de plafond. Les commandes sont installées en usine dans le montage de plafond (sauf les montages pour les applications avec thermostat ou (télécommande).
- B. Retirez la grille et les filters du montage de plafond.
- C. Étape «C» s'applique seulement si option 9233*4551 Kit Résistance à la chaleur est installée à ce moment. s'il est installé, la position de l'assemblage de chauffage à l'ouverture de pompe à chaleur air de retour comme dans la figure 9. La fixation de l'appareil de chauffage doit être installée sur l'extrusion du plateau de métal et placée entre le

plateau et le plateau de vidange de plastique (voir la figure 10). Resserrez la vis de retenue pour fixer le montage de manière à éviter tout déplacement.

ATTACHEZ TOUS LES FILS POUR VOUS ASSURER QU'IL N'Y AIT AUCUN CONTACT AVEC L'APPAREIL DE CHAUFFAGE OU TOUT BORD TRANCHANT. N'OUBLIEZ PAS QU'IL Y AURA DE L'AIR À HAUTE VITESSE À CET ENDROIT.

- D. Fixez le collet de conduit au plateau de la pompe thermique avec trois (3) vis.
- E. Branchez le conduit électrique du climatiseur de toit dans la prise à 9 positions qui se trouve du côté du thermostat du montage de plafond. Branchez le cordon de l'appareil de chauffage dans la prise à 2 positions (voir figure 11).
- F. Insérez le fil d'alimentation dans la pince de câble et dans la boîte de connexion à effectuer sur place pour que le conducteur de 4 à 6 po (10 à 15 cm) soit à l'intérieur de la boîte. Fixez la pince sur la gaine du fil pour qu'aucun déplacement ne soit possible (voir figure 12).

- G. Connectez les conducteurs d'alimentation de courant aux fils en tire-bouchon blanc et noir et le fil de masse au fil en tire-bouchon vert qui se trouve dans la boîte de connexion à effectuer sur le terrain en utilisant les 3 écrous de câble fournis.
IMPORTANT – Connectez l'alimentation noire au tire-bouchon noir et l'alimentation blanche au tire-bouchon blanc. Utilisez un ruban d'électricité approuvé U.L., fixez les écrous de câble aux fils selon les règles du métier.
- H. Placez l'écran de la boîte de commande métallique sur les boîtes de connexion à effectuer sur le terrain, le sélecteur et le thermostat. Assurez-vous que tous les fils sont poussés dans les boîtes de commande ou qu'ils reposent dans la goulotte de fils entre les boîtiers d'interrupteur et de thermostat et qu'ils ne seront pas pincés par l'écran de la boîte des commandes. Cet écran est bien installé lorsque les deux trous de l'écran sont alignés avec les trous des deux vis dans le guide du montage de plafond.
- I. Soulevez l'assemblage du plafond et fixez au cadre de montage avec les 4 ensembles de ressorts/vis à épaulement fournis. Les deux vis avant devraient passer dans les trous de dégagement dans l'écran protecteur de la boîte de commande en métal (voir la figure 14).
- J. L'épaulement de montage de plafond est courbé pour faire le contour d'un plafond bombé. Si l'installation se fait sur un plafond plat et s'il y a des écarts sur les côtés de l'épaulement, insérez les quatre vis optionnelles de 3/4 de pouce (1,9 cm) (fournies) à travers les montants et fixez-les au cadre de montage situé au-dessus (voir figures 12, 13 et 14 pour l'emplacement des vis).
- K. Tirez le tissu du conduit par l'ouverture de la décharge du montage de plafond. Retirez la doublure de dégagement de la bande adhésive autour de l'ouverture de décharge. Pressez fermement le tissu en place autour de l'ouverture. Coupez le surplus de tissu à l'intérieur du guide du montage de plafond avec un couteau en vous assurant de ne pas déchirer le tissu au-delà de la bande adhésive.

VIII. FIN DE L'INSTALLATION (SÉRIE 9000)

- A. Assurez-vous que les filtres non allergènes sont bien installés dans la grille du plafond.
- B. Installez la grille du plafond en la plaçant au bas du carénage et en fermant les deux attaches de 1/4 de tour.
- C. Placez le sélecteur à la position OFF (arrêt).
- D. Mettez la pompe thermique de toit en marche.
- E. Vérification du système – Airxcel fabrique une vaste gamme de pompes thermiques de toit qui incorpore différentes fonctions d'exploitation du produit. Pour évaluer correctement la performance d'une pompe thermique que vous venez d'installer, il faut revoir les caractéristiques de fonctionnement (fonctions) de l'appareil précis décrites dans les instructions de fonctionnement et d'entretien du produit (pochette de documentation).



Airxcel, Inc.
RV Products Division
P.O. Box 4020
Wichita, KS 67204